



Introduction

The STM32F10xxx USB-FS-Device development kit is a complete firmware and software package including examples and demos for all USB transfer types (control, interrupt, bulk and isochronous). It supports all STM32F10xxx microcontroller families.

The aim of the STM32F10xxx USB-FS-Device development kit is to use the STM32F10xxx USB-FS-Device library with at least one firmware demo per USB transfer type.

This document presents a description of all the components of the STM32F10xxx USB-FS-Device development kit, including:

- STM32F10xxx USB-FS-Device library: All processes related to default endpoint and standard requests
- Device firmware upgrade (DFU) demo: Control transfer
- Joystick mouse demo: Interrupt transfer
- Custom HID demo: Interrupt transfer
- Mass storage demo: Bulk transfer
- Virtual COM port: Interrupt and bulk transfer
- USB voice speaker demo (USB speaker): Isochronous transfer
- USB audio streaming demo: Isochronous transfer

Contents

- 1 STM32F10xxx USB-FS-Device firmware library 7**
- 1.1 USB application hierarchy 7
- 1.2 USB-FS_Device peripheral interface 9
 - 1.2.1 usb_reg(.h, .c) 9
 - 1.2.2 usb_int (.h, .c) 14
 - 1.2.3 usb_mem (.h, .c) 14
- 1.3 OTG-FS_Device peripheral interface 14
 - 1.3.1 otgd_fs_dev(.h, .c). 14
 - 1.3.2 otgd_fs_int(.h, .c) 15
 - 1.3.3 otgd_fs_pcd(.h, .c) 16
 - 1.3.4 otgd_fs_cal(.h, .c) 16
 - 1.3.5 otgd_fs_regs.h 16
- 1.4 USB-FS-Device_Driver medium layer 16
 - 1.4.1 usb_init(.h,.c) 16
 - 1.4.2 usb_core (.h, .c) 17
 - 1.4.3 usb_sil(.h, .c) 19
 - 1.4.4 usb_type.h / usb_def.h 20
- 1.5 Application interface 20
 - 1.5.1 usb_conf(.h) 21
 - 1.5.2 usb_desc (.h, .c) 21
 - 1.5.3 usb_prop (.h, .c) 22
 - 1.5.4 usb_endp (.c) 23
 - 1.5.5 usb_istr(.c) 24
 - 1.5.6 usb_pwr (.h, .c) 24
- 1.6 Implementing a USB-FS_Device application using the STM32F10xxx USB-FS-Device library 24
 - 1.6.1 Implementing a no-data class-specific request 24
 - 1.6.2 How to implement a data class-specific request 24
 - 1.6.3 How to manage data transfers in non-control endpoint 25
- 2 Joystick mouse demo 26**
- 2.1 General description 26
- 2.2 STM32F10xxx low-power management in suspend mode 26
- 2.3 Remote Wakeup implementation 27

3	Custom HID demo	28
3.1	General description	28
3.2	Descriptor topology	28
3.3	Custom HID implementation	29
3.3.1	LED control	29
3.3.2	Push-button state report	30
3.3.3	ADC-converted data transfer	30
4	Device firmware upgrade	31
4.1	General description	31
4.2	DFU extension protocol	31
4.2.1	Introduction	31
4.2.2	Phases	32
4.2.3	Requests	33
4.3	DFU mode selection	33
4.3.1	Run-time descriptor set	33
4.3.2	DFU mode descriptor set	34
4.4	Reconfiguration phase	38
4.5	Transfer phase	38
4.5.1	Requests	38
4.5.2	Special command/protocol descriptions	39
4.5.3	DFU state diagram	40
4.5.4	Downloading and uploading	41
4.5.5	Manifestation phase	41
4.6	STM32F10xxx DFU implementation	42
4.6.1	Supported memories	42
4.6.2	DFU mode entry mechanism	42
4.6.3	DFU firmware architecture	42
4.6.4	Available DFU image for the STM32F10xxx	43
4.6.5	How to create a DFU Image	43
5	Mass storage demo	44
5.1	General description	44
5.2	Mass storage demo overview	44
5.3	Mass storage protocol	45
5.3.1	Bulk-only transfer (BOT)	45

5.3.2	Small computer system interface (SCSI)	48
5.4	Mass storage demo implementations	49
5.4.1	Hardware configuration interface	49
5.4.2	Endpoint configurations and data management	50
5.4.3	Class-specific requests	51
5.4.4	Standard request requirements	52
5.4.5	BOT state machine	52
5.4.6	SCSI protocol implementation	53
5.4.7	Memory management	54
5.4.8	Medium access management	54
5.5	How to customize the mass storage demo	56
6	Virtual COM port demo	59
6.1	General description	59
6.2	Virtual COM port demo proposal	59
6.3	Software driver installation	60
6.4	Implementation	61
6.4.1	Hardware implementation	61
6.4.2	Firmware implementation	61
7	USB voice speaker demo	63
7.1	General description	63
7.2	Isochronous transfer overview	63
7.3	Audio device class overview	64
7.4	STM32F10xxx USB audio speaker demo	65
7.4.1	General characteristics	65
7.4.2	Implementation	66
8	USB audio streaming demo	73
8.1	General description	73
8.2	STM32F10xxx USB audio streaming demo	73
8.2.1	General characteristics	73
8.2.2	Implementation	74
9	Revision history	81

List of tables

Table 1.	USB-FS_Device peripheral interface modules	9
Table 2.	Common register functions	10
Table 3.	OTG-FS_Device peripheral interface modules	14
Table 4.	otgd_fs_dev functions	15
Table 6.	USB-FS_Device_Driver medium layer modules	16
Table 8.	Power management functions	24
Table 9.	Summary of DFU class-specific requests	33
Table 10.	DFU mode device descriptor	34
Table 11.	DFU mode interface descriptor	35
Table 12.	DFU functional descriptor	37
Table 13.	Summary of DFU upgrade/upload requests	38
Table 14.	Special command descriptions	39
Table 15.	CBW packet fields	45
Table 16.	CSW packet fields	46
Table 17.	Command block status values	46
Table 18.	SCSI command set	48
Table 19.	Device descriptor	56
Table 20.	Configuration descriptor	57
Table 21.	Interface descriptors	57
Table 22.	Endpoint descriptors	58
Table 23.	Device descriptors	68
Table 24.	Configuration descriptors	69
Table 25.	Interface descriptors	69
Table 26.	Endpoint descriptors	72
Table 27.	Device descriptors	76
Table 28.	Configuration descriptors	77
Table 29.	Interface descriptors	77
Table 30.	Endpoint descriptors	80
Table 31.	Document revision history	81

List of figures

Figure 1.	USB application hierarchy	7
Figure 2.	USB-FS-Device library package organization.	9
Figure 3.	Format of the four data bytes	26
Figure 4.	Custom HID topology	29
Figure 5.	Data OUT format	29
Figure 6.	Data IN Format	30
Figure 7.	Interface state transition diagram	40
Figure 8.	DFU firmware architecture	43
Figure 9.	New removable disk in Windows	44
Figure 10.	BOT state machine	47
Figure 11.	Hardware and firmware interaction diagram.	49
Figure 12.	Medium access layer	55
Figure 13.	NAND write operation	55
Figure 14.	Virtual COM Port demo as USB-to-USART bridge	59
Figure 15.	Communication example	60
Figure 16.	Device Manager window.	61
Figure 17.	Isochronous OUT transfer	63
Figure 18.	STM32F10xxx USB-FS_Device audio speaker demo data flow.	65
Figure 19.	Audio playback flow	66
Figure 20.	Hardware and firmware interaction diagram.	67
Figure 21.	Audio playback flow	73
Figure 22.	Hardware and firmware interaction diagram.	75
Figure 23.	isochronous data transfer management	76

1 STM32F10xxx USB-FS-Device firmware library

This section describes the firmware interface (called USB-FS-Device Library) used to manage the STM32F10xxx USB 2.0 full-speed device and USB 2.0 OTG full-speed device peripherals. In the rest of the document, they will be referred to as USB-FS_Device peripheral and OTG-FS_Device peripheral, respectively.

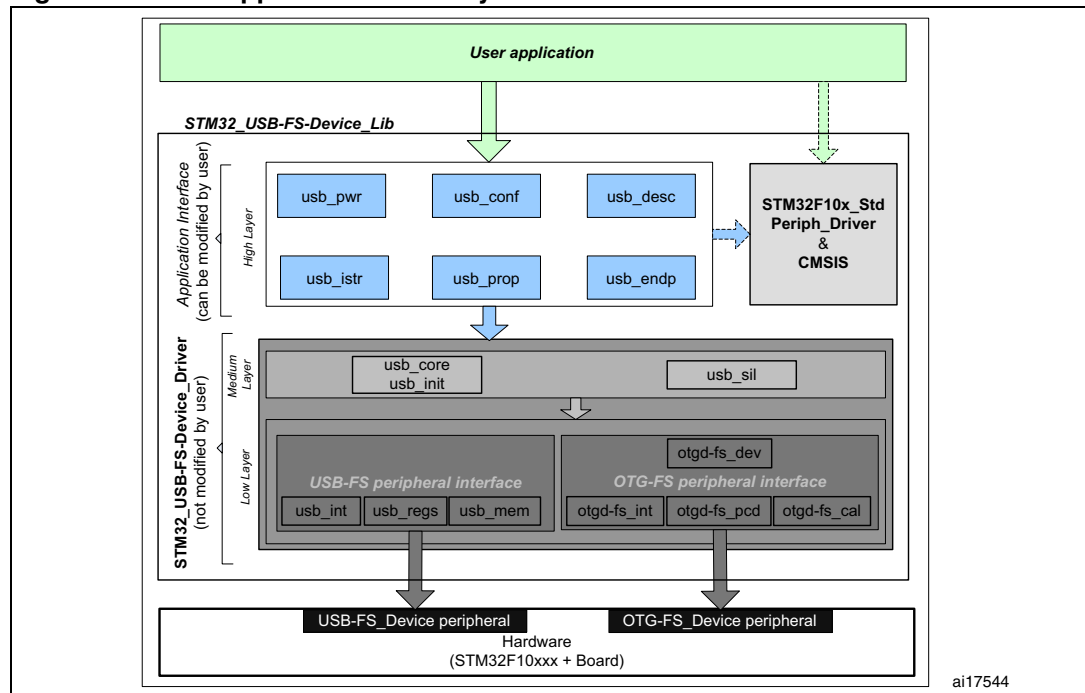
The USB-FS_Device peripheral is implemented in low-, medium- and high-density devices and supports USB 2.0 full-speed device operations. The OTG-FS_Device peripheral is part of the OTG-FS peripheral implemented in connectivity line devices and supports Host, Device and Dual-role operations. The USB-FS-Device library supports the USB-FS_Device peripheral and the OTG-FS_Device peripheral, both in device mode only, by means of some hardware abstraction layers.

The main purpose of this firmware library is to provide resources to ease the development of applications using the USB-FS_Device and OTG-FS_Device peripherals in the STM32F10xxx microcontroller families.

1.1 USB application hierarchy

Figure 1 shows the interaction between the different components of a typical USB application and the USB-FS-Device library.

Figure 1. USB application hierarchy



The USB-FS-Device library is divided into two layers:

- **STM32_USB-FS_Device_Driver:** this layer manages the direct communication with the USB peripheral hardware (USB-FS_Device peripheral and OTG-FS_Device peripheral) and the USB standard protocol. The STM32_USB-FS_Device_Driver is

compliant with the USB 2.0 specification and is separate from the standard STM32F10xxx standard peripheral library.

- **Application Interface layer:** this layer provides the user with a complete interface between the library core and the final application.

When using STM32F10xxx connectivity line devices, the OTG-FS peripheral interface layer is loaded (through defines at compile time) and used as the peripheral interface layer. The functions of the USB-FS peripheral layer are not loaded.

When other STM32F10xxx devices are used, only the USB-FS peripheral interface layer is loaded (through defines at compile time) and used as the peripheral interface layer.

However the core of the library (usb_core(.c,.h), usb_istr(.c,.h)...) is common and remains unchanged for both IPs.

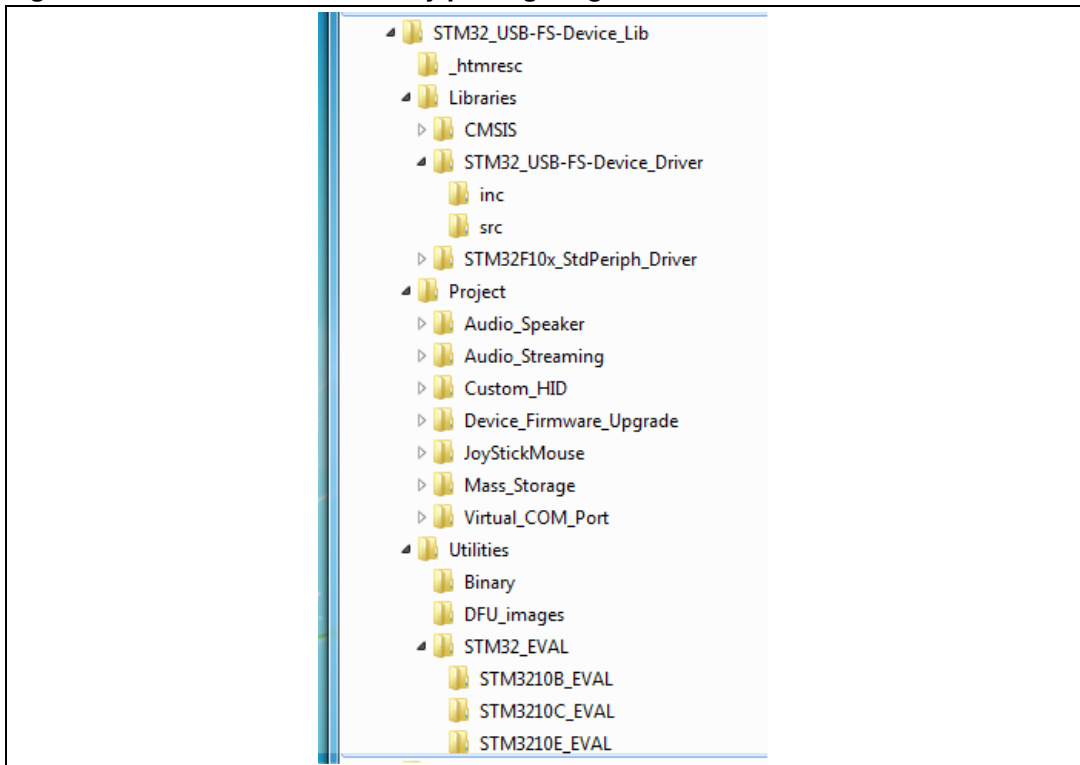
Warning: Any statement referencing “USB-FS_Device peripheral” is not valid for connectivity line devices and any statement referencing “OTG-FS_Device peripheral” is not valid for all other devices.

Note: The application interface layer and the final application can communicate with the standard peripherals library to manage the hardware needs of the application.

A detailed description of these layers with coding rules is provided in the next sections.

[Figure 2](#) shows the package organization of the USB-FS-Device library with all the demonstrations and subfolders.

Figure 2. USB-FS-Device library package organization



1.2 USB-FS_Device peripheral interface

Table 1 presents the USB-FS_Device peripheral interface modules.

Table 1. USB-FS_Device peripheral interface modules

File	Description
<i>usb_reg (.h, .c)</i>	Hardware abstraction layer
<i>usb_int.c</i>	Correct transfer interrupt service routine
<i>usb_mem(.h,.c)</i>	Data transfer management (from/to packet memory area)

1.2.1 usb_reg(.h, .c)

The **usb_regs** module implements the hardware abstraction layer, it offers a set of basic functions for accessing the USB-FS_Device peripheral registers.

Note: The available functions have two call versions:

- As a macro: the call is: `_NameofFunction(parameter1,...)`
- As a subroutine: the call is: `NameofFunction(parameter1,...)`

Common register functions:

These functions could be used to set or to get the different common USB-FS_Device peripheral registers:

Table 2. Common register functions

Register	function
CNTR	void SetCNTR (uint16_t wValue)
	uint16_t GetCNTR (void)
ISTR	void SetISTR (uint16_t wValue)
	uint16_t GetISTR (void)
FNR	uint16_t GetFNR (void)
DADDR	void SetDADDR (uint16_t wValue)
	uint16_t GetDADDR (void)
BTABLE	void SetBTABLE (uint16_t wValue)
	uint16_t GetBTABLE (void)

Endpoint register functions

All operations with endpoint registers can be obtained with the SetENDPOINT and GetENDPOINT functions. However, many functions are derived from these to offer the advantage of a direct action on a specific field.

a) Endpoint set/get value

```

SetENDPOINT : void SetENDPOINT(uint8_t bEpNum, uint16_t wRegValue)
bEpNum = Endpoint number, wRegValue = Value to write
GetENDPOINT : uint16_t GetENDPOINT(uint8_t bEpNum)
bEpNum = Endpoint number
return value: the endpoint register value
    
```

b) Endpoint TYPE field

The EP_TYPE field of the endpoint register can assume the defined values below:

```

#define EP_BULK                (0x0000)    // Endpoint BULK
#define EP_CONTROL             (0x0200)    // Endpoint CONTROL
#define EP_ISOCHRONOUS         (0x0400)    // Endpoint ISOCHRONOUS
#define EP_INTERRUPT           (0x0600)    // Endpoint INTERRUPT
    
```

```

SetEPTYPE : void SetEPTYPE (uint8_t bEpNum, uint16_t wtype)
bEpNum = Endpoint number, wtype = Endpoint type (value from the
above define's)
GetEPTYPE : uint16_t GetEPTYPE (uint8_t bEpNum)
bEpNum = Endpoint number
return value: a value from the above define's
    
```



c) Endpoint STATUS field

The STAT_TX / STAT_RX fields of the endpoint register can assume the defined values below:

```
#define EP_TX_DIS          (0x0000)    // Endpoint TX DISabled
#define EP_TX_STALL       (0x0010)    // Endpoint TX STALLed
#define EP_TX_NAK         (0x0020)    // Endpoint TX NAKed
#define EP_TX_VALID       (0x0030)    // Endpoint TX VALID
#define EP_RX_DIS         (0x0000)    // Endpoint RX DISabled
#define EP_RX_STALL       (0x1000)    // Endpoint RX STALLed
#define EP_RX_NAK         (0x2000)    // Endpoint RX NAKed
#define EP_RX_VALID       (0x3000)    // Endpoint RX VALID

SetEPTxStatus : void SetEPTxStatus(uint8_t bEpNum,uint16_t wState)
SetEPRxStatus : void SetEPRxStatus(uint8_t bEpNum,uint16_t wState)
bEpNum = Endpoint number, wState = a value from the above define's
GetEPTxStatus : uint16_t GetEPTxStatus(uint8_t bEpNum)
GetEPRxStatus : uint16_t GetEPRxStatus(uint8_t bEpNum)
bEpNum = endpoint number
return value:a value from the above define's
```

d) Endpoint KIND field

```
SetEP_KIND : void SetEP_KIND(uint8_t bEpNum)
ClearEP_KIND : void ClearEP_KIND(uint8_t bEpNum)
bEpNum = endpoint number
Set_Status_Out : void Set_Status_Out(uint8_t bEpNum)
Clear_Status_Out : void Clear_Status_Out(uint8_t bEpNum)
bEpNum = endpoint number
SetEPDoubleBuff : void SetEPDoubleBuff(uint8_t bEpNum)
ClearEPDoubleBuff : void ClearEPDoubleBuff(uint8_t bEpNum)
bEpNum = endpoint number
```

e) Correct Transfer Rx/Tx fields

```
ClearEP_CTR_RX : void ClearEP_CTR_RX(uint8_t bEpNum)
ClearEP_CTR_TX : void ClearEP_CTR_TX(uint8_t bEpNum)
bEpNum = endpoint number
```

f) Data Toggle Rx/Tx fields

```
ToggleDTOG_RX : void ToggleDTOG_RX(uint8_t bEpNum)
ToggleDTOG_TX : void ToggleDTOG_TX(uint8_t bEpNum)
bEpNum = endpoint number
```

g) Address field

```
SetEPAddress : void SetEPAddress(uint8_t bEpNum,uint8_t bAddr)
bEpNum = endpoint number
bAddr = address to be set
GetEPAddress : uint8_t GetEPAddress(uint8_t bEpNum)
bEpNum = endpoint number
```

Buffer description table functions

These functions are used in order to set or get the endpoints' receive and transmit buffer addresses and sizes.

a) Tx/Rx buffer address fields

```
SetEPTxAddr : void SetEPTxAddr(uint8_t bEpNum, uint16_t wAddr);
SetEPRxAddr : void SetEPRxAddr(uint8_t bEpNum, uint16_t wAddr);
bEpNum = endpoint number
wAddr = address to be set (expressed as PMA buffer address)
GetEPTxAddr : uint16_t GetEPTxAddr(uint8_t bEpNum);
GetEPRxAddr : uint16_t GetEPRxAddr(uint8_t bEpNum);
bEpNum = endpoint number
return value : address value (expressed as PMA buffer address)
```

b) Tx/Rx buffer counter fields

```
SetEPTxCount : void SetEPTxCount(uint8_t bEpNum, uint16_t wCount);
SetEPRxCount : void SetEPRxCount(uint8_t bEpNum, uint16_t wCount);
bEpNum = endpoint number
wCount = counter to be set
GetEPTxCount : uint16_t GetEPTxCount(uint8_t bEpNum);
GetEPRxCount : uint16_t GetEPRxCount(uint8_t bEpNum);
bEpNum = endpoint number
return value : counter value
```

Double-buffered endpoints functions

To obtain high data-transfer throughput in bulk or isochronous modes, *double-buffered* mode has to be programmed. In this operating mode some fields of the endpoint registers and buffer description table cells have different meanings.

To ease the use of this feature several functions have been developed.

SetEPDoubleBuff: An endpoint programmed to work in bulk mode can be set as double-buffered by setting the EP-KIND bit. The function `SetEPDoubleBuff()` accomplishes this task.

```
SetEPDoubleBuff : void SetEPDoubleBuff(uint8_t bEpNum);
bEpNum = endpoint number
```

FreeUserBuffer: In double-buffered mode the endpoints become mono-directional and buffer description table cells of the unused direction are applied to handle a second buffer.

Addresses and counters must be handled in a different way. Rx and Tx Addresses and counter cells become **Buffer0** and **Buffer1** cells. Functions dedicated to this operating mode are provided for in the library.

During a bulk transfer the line fills one buffer while the other buffer is reserved to the application. A user application has to process data before the arrival of bulk needing a buffer. The buffer reserved to the application has to be freed in time.

To free the buffer in use from the application the `FreeUserBuffer` function is provided:

```
FreeUserBuffer : void FreeUserBuffer(uint8_t bEpNum, uint8_t bDir);
bEpNum = endpoint number
```

a) Double buffer addresses

These functions set or get buffer address value in the buffer description table for double buffered mode.

SetEPDb1BuffAddr : void SetEPDb1BuffAddr(uint8_t bEpNum, uint16_t wBuf0Addr, uint16_t wBuf1Addr);

SetEPDb1buf0Addr : void SetEPDb1Buf0Addr(uint8_t bEpNum, uint16_t wBuf0Addr);

SetEPDb1buf1Addr : void SetEPDb1Buf1Addr(uint8_t bEpNum, uint16_t wBuf1Addr);

bEpNum = endpoint number

wBuf0Addr, wBuf1Addr = buffer addresses (expressed as PMA buffer addresses)

GetEPDb1Buf0Addr : uint16_t GetEPDb1Buf0Addr(uint8_t bEpNum);

GetEPDb1buf1Addr : uint16_t GetEPDb1Buf1Addr(uint8_t bEpNum);

bEpNum = endpoint number

return value : buffer addresses

b) Double buffer counters

These functions set or get buffer counter value in the buffer description table for double buffered mode.

SetEPDb1BuffCount: void SetEPDb1BuffCount(uint8_t bEpNum, uint8_t bDir, uint16_t wCount);

SetEPDb1Buf0Count: void SetEPDb1Buf0Count(uint8_t bEpNum, uint8_t bDir, uint16_t wCount);

SetEPDb1Buf1Count: void SetEPDb1Buf1Count(uint8_t bEpNum, uint8_t bDir, uint16_t wCount);

bEpNum = endpoint number

bDir = endpoint direction

wCount = buffer counter

GetEPDb1Buf0Count : uint16_t GetEPDb1Buf0Count(uint8_t bEpNum);

GetEPDb1Buf1Count : uint16_t GetEPDb1Buf1Count(uint8_t bEpNum);

bEpNum = endpoint number

return value : buffer counter

c) Double buffer STATUS

The simple and double buffer modes use the same functions to manage the Endpoint STATUS except for the STALL status for double buffer mode. This functionality is managed by the function:

SetDouBleBuffEPStall: void SetDouBleBuffEPStall(uint8_t bEpNum, uint8_t bDir)

bEpNum = endpoint number

bDir = endpoint direction

1.2.2 usb_int (.h , .c)

The **usb_int** module handles the correct transfer interrupt service routines; it offers the link between the USB device protocol events and the library.

The STM32F10xxx USB-FS_Device peripheral provides two correct transfer routines:

- Low-priority interrupt: managed by the function `CTR_LP()` and used for control, interrupt and bulk (in simple buffer mode).
- High-priority interrupt: managed by the function `CTR_HP()` and used for faster transfer mode like Isochronous and bulk (in double buffer mode).

1.2.3 usb_mem (.h , .c)

The **usb_mem** copies a buffer data from the user memory area to the packet memory area (PMA) and vice versa. It provides two different functions:

```
void UserToPMABufferCopy(uint8_t *pbUsrBuf, uint16_t wPMABufAddr, uint16_t wNBytes);
void PMAToUserBufferCopy(uint8_t *pbUsrBuf, uint16_t wPMABufAddr, uint16_t wNBytes);
```

Where:

- pbUsrBuf is the pointer to the user memory area generally in the product’s SRAM.
- wPMABufAddr is the address in PMA (512-byte packet memory area dedicated to USB).
- wNBytes is the number of bytes to be copied.

1.3 OTG-FS_Device peripheral interface

[Table 3](#) presents the OTG-FS_Device peripheral interface modules:

Table 3. OTG-FS_Device peripheral interface modules

File	Description
<i>otgd_fs_dev (.h , .c)</i>	OTG-FS_Device device mode high-layer management
<i>otgd_fs_int (.h , .c)</i>	OTG-FS_Device interrupt handlers
<i>otgd_fs_pcd (.h , .c)</i>	OTG-FS_Device device mode low-layer management
<i>otgd_fs_cal (.h , .c)</i>	OTG-FS_Device peripheral control and status management (low layer).
<i>otgd_fs_regs.h</i>	OTG-FS_Device peripheral register definitions

1.3.1 otgd_fs_dev(.h, .c).

The **otgd_fs_dev** module provides the main high layer functions for handling the OTG-FS_Device peripheral in device mode. It also contains the main functions for handling endpoints.

The main functions are listed in [Table 4](#):

Table 4. otgd_fs_dev functions

Function	Description
<i>void OTGD_FS_Dev_Init(void)</i>	Resets and initializes all the OTG-FS_Device peripheral and initializes endpoint 0.
<i>void OTG_DEV_EP_Init(uint8_t bEpAdd, uint8_t bEpType, uint16_t wEpMaxPckSize)</i>	Configures and enables the selected endpoint (this function is not used for endpoint 0).
<i>void OTGD_FS_Dev_Connect(void)</i>	Connects the OTG-FS_Device peripheral through the internal integrated pull-up resistors
<i>void OTGD_FS_Dev_Disconnect(void)</i>	Disconnects the OTG-FS_Device peripheral through the internal integrated pull-up resistors
<i>uint32_t OTGD_FS_GetEPTxStatus(uint8_t bEpNum)</i>	Returns the transmitting status of the selected endpoint (valid, stall, NaK, disable)
<i>uint32_t OTGD_FS_GetEPRxStatus(uint8_t bEpNum)</i>	Returns the receiving status of the selected endpoint (valid, stall, NaK, disable)
<i>void OTGD_FS_SetEPTxStatus(uint8_t bEpNum, uint32_t Status)</i>	Configure a selected transmitting status for the selected endpoint (valid, stall, NaK, disable)
<i>void OTGD_FS_SetEPRxStatus(uint8_t bEpNum, uint32_t Status)</i>	Configure a selected receiving status for the selected endpoint (valid, stall, NaK, disable)

1.3.2 otgd_fs_int(.h, .c)

The **otgd_fs_int** module handles the different interrupt service routines generated by the OTG-FS_Device peripheral. It provides the link between the USB protocol events and the library core.

The STM32F10xxx OTG-FS_Device peripheral provides interrupt routines as listed in [Table 5](#):

Table 5. otgd_fs_int functions

Function	Description
<i>uint32_t OTGD_FS_HandleInEP_ISR(void);</i>	<i>Handles the IN endpoint interrupts</i>
<i>uint32_t OTGD_FS_HandleOutEP_ISR(void);</i>	<i>Handles the OUT endpoint interrupts</i>
<i>uint32_t OTGD_FS_HandleSof_ISR(void);</i>	<i>Handles the Start Of Frame interrupt</i>
<i>uint32_t OTGD_FS_HandleRxStatusQueueLevel_ISR(void);</i>	<i>Handles the Rx Status Queue level interrupt (data received in the internal USB RAM)</i>
<i>uint32_t OTGD_FS_HandleEnumDone_ISR(void);</i>	<i>Handles the Enumeration Done interrupt</i>

Table 5. otgd_fs_int functions (continued)

Function	Description
<i>uint32_t OTGD_FS_HandleUsbReset_ISR(void);</i>	<i>Handles the USB reset event interrupt</i>
<i>uint32_t OTGD_FS_HandleWakeup_ISR(void);</i>	<i>Handles the wakeup event interrupt</i>
<i>uint32_t OTGD_FS_HandleUSBSuspend_ISR(void);</i>	<i>Handles the Suspend event interrupt</i>
<i>uint32_t OTGD_FS_Handle_EOPF_ISR(void);</i>	<i>Handles the expected End Of Periodic Frame interrupt</i>
<i>uint32_t OTGD_FS_Handle_PTXFEmpty_ISR(void);</i>	<i>Handles the Periodic Tx FIFO Empty interrupt</i>
<i>uint32_t OTGD_FS_Handle_EarlySuspend_ISR(void);</i>	<i>Handles the Early Suspend event interrupt.</i>
<i>uint32_t OTGD_FS_Handle_NPTxFE_ISR(void);</i>	<i>Handles the Non Periodic Tx FIFO empty interrupt.</i>

1.3.3 otgd_fs_pcd(.h, .c)

The **otgd_fs_pcd** module is the low layer interface for the OTG-FS_Device peripheral in device mode. It handles the necessary operations on the hardware in device mode only.

1.3.4 otgd_fs_cal(.h, .c)

The **otgd_fs_cal** module is the low layer interface for the OTG-FS_Device peripheral core. It handles all the necessary functions for the common control and status registers, as well as for peripheral configuration and initialization.

1.3.5 otgd_fs_regs.h

The **otgd_fs_regs** file contain the register definitions for the OTG-FS_Device peripheral.

1.4 USB-FS-Device_Driver medium layer

[Table 1](#) presents the USB-FS-Device_Driver medium layer modules:

Table 6. USB-FS-Device_Driver medium layer modules

File	Description
<i>usb_init (.h,.c)</i>	USB device initialization global variables
<i>usb_core (.h , .c)</i>	USB protocol management (compliant with chapter 9 of the <i>USB 2.0 specification</i>)
<i>usb_sil (.h,.c)</i>	Simplified functions for read & write accesses to the endpoints (abstraction layer for both USB-FS_Device and OTG-FS_Device peripherals)
<i>usb_def.h / usb_type.h</i>	USB definitions and Ttypes used in the library

1.4.1 usb_init(.h,.c)

This module sets initialization routines and global variables that will be used in the library.

1.4.2 usb_core (.h , .c)

This module is the “kernel” of the library. It implements all the functions described in chapter 9 of the *USB 2.0 specification*.

The available subroutines cover handling of USB standard requests related to the control endpoint (ENDP0), offering the necessary code to accomplish the sequence of enumeration phase.

A state machine is implemented in order to process the different stages of the setup transactions.

The USB core module also implements a dynamic interface between the standard request and the user implementation using the structure **User_Standard_Requests**.

The USB core dispatches the class specific requests and some bus events to user program whenever it is necessary. User handling procedures are given in the **Device_Property** structure.

The different data and function structures used by the kernel are described in the following paragraphs.

1. Device table structure

The core keeps device level information in the **Device_Table** structure. **Device_Table** is of the type: **DEVICE**.

```
typedef struct _DEVICE {
    uint8_t Total_Endpoint;
    uint8_t Total_Configuration;
} DEVICE;
```

2. Device information structure

The USB core keeps the setup packet from the host for the implemented USB Device in the **Device_Info** structure. This structure has the type: **DEVICE_INFO**.

```
typedef struct _DEVICE_INFO {
    uint8_t USBbmRequestType;
    uint8_t USBbRequest;
    uint16_t_uint8_t USBwValues;
    uint16_t_uint8_t USBwIndexs;
    uint16_t_uint8_t USBwLengths;
    uint8_t ControlState;
    uint8_t Current_Feature;
    uint8_t Current_Configuration;
    uint8_t Current_Interface;
    uint8_t Current_AlternateSetting;
    ENDPOINT_INFO Ctrl_Info;
} DEVICE_INFO;
```

An union **uint16_t_uint8_t** is defined to easily access some fields in the **DEVICE_INFO** in either **uint16_t** or **uint8_t** format.

```
typedef union {
    uint16_t w;
    struct BW {
        uint8_t bb1;
        uint8_t bb0;
    } bw;
} uint16_t_uint8_t;
```

Description of the structure fields:

- **USBbmRequestType** is the copy of the *bmRequestType* of a setup packet
- **USBbRequest** is the copy of the *bRequest* of a setup packet
- **USBwValues** is defined as type: `uint16_t_uint8_t` and can be accessed through 3 macros:


```
#define USBwValue USBwValues.w
#define USBwValue0 USBwValues.bw.bb0
#define USBwValue1 USBwValues.bw.bb1
```

USBwValue is the copy of the *wValue* of a setup packet
USBwValue0 is the low byte of *wValue*, and **USBwValue1** is the high byte of *wValue*.
- **USBwIndexes** is defined as `USBwValues` and can be accessed by 3 macros:


```
#define USBwIndex USBwIndexes.w
#define USBwIndex0 USBwIndexes.bw.bb0
#define USBwIndex1 USBwIndexes.bw.bb1
```

USBwIndex is the copy of the *wIndex* of a setup packet
USBwIndex0 is the low byte of *wIndex*, and **USBwIndex1** is the high byte of *wIndex*.
- **USBwLengths** is defined as type: `uint16_t_uint8_t` and can be accessed through 3 macros:


```
#define USBwLength USBwLengths.w
#define USBwLength0 USBwLengths.bw.bb0
#define USBwLength1 USBwLengths.bw.bb1
```

USBwLength is the copy of the *wLength* of a setup packet
USBwLength0 and **USBwLength1** are the low and high bytes of *wLength*, respectively.
- **ControlState** is the state of the core, the available values are defined in `CONTROL_STATE`.
- **Current_Feature** is the device feature at any time. It is affected by the `SET_FEATURE` and `CLEAR_FEATURE` requests and retrieved by the `GET_STATUS` request. User code does not use this field.
- **Current_Configuration** is the configuration the device is working on at any time. It is set and retrieved by the `SET_CONFIGURATION` and `GET_CONFIGURATION` requests, respectively.
- **Current_Interface** is the selected interface.
- **Current_Alternatesetting** is the alternative setting which has been selected for the current working configuration and interface. It is set and retrieved by the `SET_INTERFACE` and `GET_INTERFACE` requests, respectively.
- **Ctrl_Info** has type `ENDPOINT_INFO`.
 Since this structure is used everywhere in the library, a global variable **plnformation** is defined for easy access to the **Device_Info** table, it is a pointer to the **DEVICE_INFO** structure.
 Actually, **plnformation = &Device_Info**.

3. Device property structure

The USBcore dispatches the control to the user program whenever it is necessary. User handling procedures are given in an array of **Device_Property**. The structure has the type: **DEVICE_PROP**:

```
typedef struct _DEVICE_PROP {
void (*Init)(void);
void (*Reset)(void);
void (*Process_Status_IN)(void);
void (*Process_Status_OUT)(void);
RESULT (*Class_Data_Setup)(uint8_t RequestNo);
RESULT (*Class_NoData_Setup)(uint8_t RequestNo);
RESULT (*Class_Get_Interface_Setting)(uint8_t Interface,uint8_t
AlternateSetting);
uint8_t* (*GetDeviceDescriptor)(uint16_t Length);
uint8_t* (*GetConfigDescriptor)(uint16_t Length);
uint8_t* (*GetStringDescriptor)(uint16_t Length);
void* RxEP_buffer; /* This field is not used in current library version.
It is kept only for compatibility with previous versions */
uint8_t MaxPacketSize;
} DEVICE_PROP;
```

4. User standard request structure

The User Standard Request Structure is the interface between the user code and the management of the standard request. The structure has the type: **USER_STANDARD_REQUESTS**:

```
typedef struct _USER_STANDARD_REQUESTS {
void(*User_GetConfiguration)(void);
void(*User_SetConfiguration)(void);
void(*User_GetInterface)(void);
void(*User_SetInterface)(void);
void(*User_GetStatus)(void);
void(*User_ClearFeature)(void);
void(*User_SetEndPointFeature)(void);
void(*User_SetDeviceFeature)(void);
void(*User_SetDeviceAddress)(void);
} USER_STANDARD_REQUESTS;
```

If the user wants to implement specific code after receiving a standard USB Device request he has to use the corresponding functions in this structure.

An application developer must implement three structures having the **DEVICE_PROP**, **Device_Table** and **USER_STANDARD_REQUEST** types in order to manage class requests and application specific controls. The different fields of these structures are described in [Section 1.4.4: usb_type.h / usb_def.h](#).

1.4.3 usb_sil(.h, .c)

The **usb_sil** module implements an additional abstraction layer for USB-FS_Device and OTG-FS_Device peripherals. It offers simple functions for accessing the Endpoints for Read and Write operations.

Endpoint simplified write function

The write operation to an endpoint can be performed through the following function:

```
void USB_SIL_Write(uint32_t EPNum, uint8_t* pBufferPointer, uint32_t wBufferSize);
```

The parameters of this function are:

- EPNum: Number of the IN endpoint related to the write operation
- pBufferPointer: Pointer to the user buffer to be written to the IN endpoint.
- wBufferSize: Number of data bytes to be written to the IN endpoint.

Depending on the peripheral interface, this function gets the address of the endpoint buffer and performs the packet write operation.

Endpoint simplified read function

The read operation from an endpoint can be performed through the following function:

```
uint32_t USB_SIL_Read(uint32_t EPNum, uint8_t* pBufferPointer);
```

The parameters of this function are:

- EPNum: Number of the OUT endpoint related to the read operation
- pBufferPointer: Pointer to the user buffer to be filled with the data read form the OUT endpoint.

Depending on the peripheral interface, this function performs two successive operations:

- Gets the number of data received from the host on the related OUT endpoint
- Copies the received data from the USB dedicated memory to the pBufferPointer address.

Then the function returns the number of received data bytes to the user application.

1.4.4 usb_type.h / usb_def.h

These files provides the main types and USB definitions used in the library.

1.5 Application interface

The modules of the Application interface are provided as a template, they must be tailored by the application developer for each application. [Table 7](#) shows the different modules used in the application interface.

Table 7. Application interface modules

File	Description
<i>usb_conf.h</i>	USB-FS_Device configuration file
<i>usb_desc (.h, .c)</i>	USB-FS_Device descriptors
<i>usb_prop (.h, .c)</i>	USB-FS_Device application-specific properties
<i>usb_endp.c</i>	Correct transfer interrupt handler routines for non-control endpoints
<i>usb_istr (.h, .c)</i>	USB-FS_Device interrupt handler functions
<i>usb_pwr (.h, .c)</i>	USB-FS_Device power and connection management functions



1.5.1 **usb_conf(.h)**

The `usb_conf.h` is used to customize the USB demos and to configure the device as follows:

- Define the number of endpoints to be used (through the define `EP_NUM`).
- Enable the use of Endpoints and event callback routines by commenting the relative callback define (i.e. comment the define `EP1_IN_Callback` to enable and use this function when a correct transfer occurs on endpoint 1, comment the define `INTR_SOFINTR_Callback` in order to use and implement this function when an SOF interrupt occurs...). When a callback is to be used, its relative define in `usb_conf.h` file should be commented. Then, it should be implemented with the same name in the user application (no need to declare the callback function prototype as it is already declared in the `usb_istr.h` file).
- For USB-FS_Device peripheral:
 - Configure the `BTABLE` and all endpoint addresses in the PMA (by modifying and/or adding relative address defines: `BTABLE_ADDRESS`, `ENDP0_RXADDR`, `ENDP0_TXADDR` ...).
 - Define the interrupts to enable them through the interrupt mask `IMR_MSK`.
- For OTG-FS_Device peripheral
 - Configure the allocated size for the USB device FIFO by modifying the defines `RX_FIFO_SIZE`, `TX0_FIFO_SIZE`, `TX1_FIFO_SIZE` ...
 - Configure the interrupts to enable them by uncommenting the relative defines (i.e. uncomment `INTR_SOFINTR` define to enable the DOF interrupt ...).

1.5.2 **usb_desc (.h, .c)**

The `usb_desc.c` file should contain all the USB descriptors related to the application. The user has to set these descriptors according to the application proprieties and class.

In all available demos in the “STM32F10xxx USB-FS_Device developer kit” there is an example implementing a unique serial number string descriptor based on the STM32F10xxx Device Unique ID register (12 digits).

The default value of the serial number string descriptor is “STM32F10” and during the USB initialization the `Get_SerialNum()` function reads the Device Unique ID register and sets the serial number string descriptor.

For more details regarding the Device Unique ID register please refer to the STM32F10xxx reference manual RM0008.

1.5.3 usb_prop (.h , .c)

The usb_prop module is used for implementing the **Device_Property**, **Device_Table** and **USER_STANDARD_REQUEST** structures used by the USB core.

Device property implementation

The device property structure fields are described below:

- **void Init(void)**: Init procedure of the USB-FS_Device or OTG-FS_Device peripheral. It is called once at the start of the application to manage the initialization process.
- **void Reset(void)**: Reset procedure of the USB peripheral. It is called when the macrocell receives a RESET signal from the bus. The user program should set up the endpoints in this procedure, in order to set the default control endpoint (only for the USB-FS_Device peripheral) and enable it to receive.
- **void Process_Status_IN(void)**: Callback procedure, it is called when a status in a stage is finished. The user program can take control with this callback to perform class- and application-related processes.
- **void Process_Status_OUT(void)**: Callback procedure, it is called when a status out stage is finished. As with Process_Status_IN, the user program can perform actions after a status out stage.
- **RESULT (see note below) *(Class_Data_Setup)(uint8_t RequestNo)**: Callback procedure, it is called when a class request is recognized and this request needs a data stage. The core cannot process such requests. In this case, the user program gets the chance to use custom procedures to analyze the request, prepare the data and pass the data to the USB-FS_Device core for exchange with the host. The parameter RequestNo indicates the request number. The return parameter of this function has the type: RESULT. It indicates the result of the request processing to the core.
- **RESULT (*Class_NoData_Setup)(uint8_t RequestNo)** Callback procedure, it is called when a non-standard device request is recognized, that does not need a data stage. The core cannot process such requests. The user program can have the chance to use custom procedures to analyze the request and take action. The return parameter of this function has type: RESULT. It indicates the result of the request processing to the core.
- **RESULT (*Class_GET_Interface_Setting)(uint8_t Interface, uint8_t AlternateSetting)**: This routine is used to test the received set interface standard request. The user must verify the "Interface" and "AlternateSetting" according to their own implementation and return the USB_UN SUPPORT in case of error in these two fields.
- **uint8_t* GetDeviceDescriptor(uint16_t Length)**: The core gets the device descriptor.
- **uint8_t* GetConfigDescriptor(uint16_t Length)**: The core gets the configuration descriptor.
- **uint8_t* GetStringDescriptor(uint16_t Length)**: The core gets the string descriptor.
- **uint16_t MaxPacketSize**: The maximum packet size of the device default control endpoint.

Note: The **RESULT** type is the following:

```
typedef enum _RESULT {
    USB_SUCCESS = 0, /* request process successfully */
    USB_ERROR,      /* error
USB_UNSupport,    /* request not supported
USB_NOT_READY/* The request process has not been finished,*/
/* endpoint will be NAK to further requests*/
} RESULT;
```

Device endpoint implementation

Description of the structure fields:

- **Total_Endpoint** is the number of endpoints the USB application uses.
- **Total_Configuration** is the number of configurations the USB application has.

USER_STANDARD_REQUEST implementation

This structure is used to manage the user implementation after receiving all standard requests (except Get descriptors). The fields of this structure are:

- **void (*User_GetConfiguration)(void)**: Called after receiving the Get Configuration Standard request.
- **void (*User_SetConfiguration)(void)**: Called after receiving the Set Configuration Standard request.
- **void (*User_GetInterface)(void)**: Called after receiving the Get interface Standard request.
- **void (*User_SetInterface)(void)**: Called after receiving the Set interface Standard request.
- **void (*User_GetStatus)(void)**: Called after receiving the Get interface Standard request.
- **void (*User_ClearFeature)(void)**: Called after receiving the Clear Feature Standard request.
- **void (*User_SetEndPointFeature)(void)**: Called after receiving the set Feature Standard request (only for endpoint recipient).
- **void (*User_SetDeviceFeature)(void)**: Called after receiving the set Feature Standard request (only for Device recipient).
- **void (*User_SetDeviceAddress)(void)**: Called after receiving the set Address Standard request.

1.5.4 usb_endp (.c)

USB_endp module is used for:

- Handling the CTR “correct transfer” routines for endpoints other than endpoint 0 (EP0) for the USB-FS_Device peripheral.
- Handling the “transfer complete” interrupt routines for endpoints other than endpoint 0 (EP0) for the OTG-FS_Device peripheral. It also allows handling the Rx FIFO level interrupts for isochronous endpoints.

For enabling the processing of these callback handlers a pre-processor switch named **EPx_IN_Callback** (for IN transfer) or **EPx_OUT_Callback** (for OUT transfer) or

EPx_RX_ISOC_CALLBACK (for Isochronous Out transfer) must be defined in the *USB_conf.h* file.

1.5.5 usb_istr(.c)

USB_istr module provides a function named `USB_Istr()` which handles all USB interrupts.

For each USB interrupt source, a callback routine named `XXX_Callback` (for example, `RESET_Callback`) is provided in order to implement a user interrupt handler. To enable the processing of each callback routines, a preprocessor switch named `XXX_Callback` must be defined in the USB configuration file *USB_conf.h*.

1.5.6 usb_pwr (.h , .c)

This module manages the power management of the USB device. It provides the functions shown in [Table 8](#).

Table 8. Power management functions

Function name	Description
RESULT Power_on(void)	Handle switch-on conditions
RESULT Power_off(void)	Handle switch-off conditions
void Suspend(void)	Sets suspend mode operation conditions
void Resume(RESUME_STATE eResumeSetVal)	Handle wakeup operations

1.6 Implementing a USB-FS_Device application using the STM32F10xxx USB-FS-Device library

1.6.1 Implementing a no-data class-specific request

All class-specific requests without a data transfer phase implement the field `RESULT (*Class_NoData_Setup)(uint8_t RequestNo)` of the structure `device` property. The `USBbRequest` of the request is available in the `RequestNo` parameter and all other request fields are stored in the device info structure.

The user has to test all request fields. If the request is compliant with the class to implement, the function returns the `USB_SUCCESS` result. However if there is a problem in the request, the function returns the `UNSUPPORT` result status and the library responds with a `STALL` handshake.

1.6.2 How to implement a data class-specific request

In the event of class requests requiring a data transfer phase, the user implementation reports to the USB-FS-Device library the length of the data to transfer and the data location in the internal memory (RAM if the data is received from the host and, RAM or Flash memory if the data is sent to the host). This type of request is managed in the function: `RESULT (*Class_Data_Setup)(uint8_t RequestNo)`.

For each class data request the user has to create a specific function with the format:

```
uint8_t* My_First_Data_Request (uint16_t Length)
```



If this function is called with the `Length` parameter equal to zero, it sets the `pInformation->Ctrl_Info.Usb_wLength` field with the length of data to transfer and returns a NULL pointer. In other cases it returns the address of the data to transfer. The following C code shows a simple example:

```
uint8_t* My_First_Data_Request (uint16_t Length)
{
    if (Length == 0)
    {
        pInformation->Ctrl_Info.Usb_wLength = My_Data_Length;
        return NULL;
    }
    else
        return (&My_Data_Buffer);
}
```

The function `RESULT (*Class_Data_Setup) (uint8_t RequestNo)` manages all data requests as described in the following C code:

```
RESULT Class_Data_Setup(uint8_t RequestNo)
{
    uint8_t* (*CopyRoutine) (uint16_t);
    CopyRoutine = NULL;

    if (My_First_Condition) // test the fields of the first request
        CopyRoutine = My_First_Data_Request;
    else if (My_Second_Condition) // test the fields of the second request
        CopyRoutine = My_Second_Data_Request;
    /*
    ... same implementation for each class data requests
    ...
    */
    if (CopyRoutine == NULL) return USB_UN SUPPORT;

    pInformation->Ctrl_Info.CopyData = CopyRoutine;
    pInformation->Ctrl_Info.Usb_wOffset = 0;
    (*CopyRoutine) (0);
    return USB_SUCCESS;
} /*End of Class_Data_Setup */
```

1.6.3 How to manage data transfers in non-control endpoint

The management of the data transfer using a pipe that is not the default one (Endpoint 0) can be managed in the `usb_end.c` file.

The user has to uncomment the line corresponding to the endpoint (with direction) in the file `usb_conf.h`.

2 Joystick mouse demo

This demo runs on the STMicroelectronics STM3210B-EVAL, STM3210C-EVAL and STM3210E-EVAL evaluation boards and can be easily tailored to any other hardware.

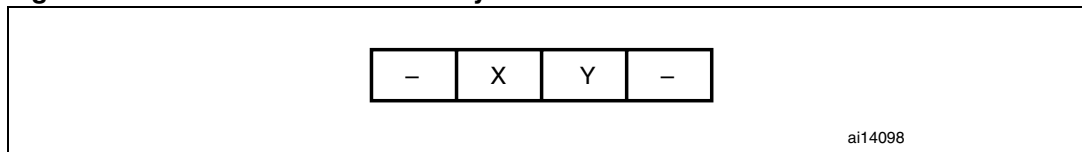
To select the STMicroelectronics evaluation board used to run the demo, uncomment the corresponding line in the `platform_config.h` file.

2.1 General description

A USB mouse (human interface device –HID– class) is a simple example of a complete USB application. The joystick mouse uses only one interrupt endpoint (endpoint 1 in the IN direction). After normal enumeration, the host requests the HID report descriptor of the mouse. This specific descriptor is presented (with standard descriptors) in the `usb_desc.c` file.

To get the mouse pointer position the host requests four bytes of data with the format shown in [Figure 3](#), using pipe 1 (endpoint 1).

Figure 3. Format of the four data bytes



The purpose of the mouse demo is to set the X and Y values according to the user actions with a joystick button. The `JoyState()` function gets the user actions and returns the direction of the mouse pointer. The `Joystick_Send()` function formats the data to send to the host and validates the data transaction phase.

Note: See the `hw_config.c` file for details on the functions.

2.2 STM32F10xxx low-power management in suspend mode

To give an example of power management during the USB suspend/resume events, the joystick mouse demo supports the STM32F10xxx Stop mode entry and exit.

The STM32F10xxx Stop mode is based on the Cortex-M3 deepsleep mode combined with peripheral clock gating. In Stop mode, all clocks in the 1.8 V domain are stopped, the PLLs, HSI RC and HSE crystal oscillators are disabled. Wakeup from the Stop mode is possible only using one EXTI line in interrupt or event mode.

In this demo, during Stop mode, the voltage regulator is configured in low-power mode to reduce the power consumption and EXTI line 18 (USB-FS_Device/OTG-FS_Device Wakeup line) is used for wakeup in interrupt mode.

When a suspend event occurs on the bus, the USB-FS-Device library dispatches the request and calls the `Enter_LowPowerMode()` function (file `hw_config.c`). In this function, the STM32F10xxx is put in Stop mode.

The STM32F10xxx remains in Stop mode until it receives a wakeup (resume) event on the bus. In this case, EXTI line 18 is activated and wakes up the STM32F10xxx. After wakeup,

the USB-FS-Device library calls the `Leave_LowPowerMode()` function (file `hw_config.c`) to reconfigure the clock (re-enable the HSE and PLL).

To test this feature and measure the power consumption during USB-FS_Device suspend, connect an ammeter to the V_{DD} jumper (Jumper JP9 in the STM3210B-EVAL board, jumper JP12 in the STM3210E-EVAL board, or jumper J23 in the STM3210C-EVAL board) and, on the PC side, use the USB HS Electrical Test Toolkit available for free from usb.org to put the STM32F10xxx in the suspend/resume state.

2.3 Remote Wakeup implementation

Remote wakeup is the ability of a USB device to bring a suspended bus back to the active condition. A device that supports remote wakeup reports this capability to the PC using the *bmAttributes* field of the configuration descriptor (bit D5 set to 1).

In the Joystick demo the key push-button is used as the remote wakeup source. The key button is connected to EXTI line 9 (GPIO PB.09) in the STM3210B-EVAL and STM3210C-EVAL, and to EXTI line 8 (GPIO PG.08) in the STM3210E-EVAL.

When the key is pressed, the corresponding EXTI ISR is called to initiate the USB device power management state machine using the *Resume()* function. Note that remote wakeup could be disabled by the PC host using the *set_feature* request, so the EXTI ISR tests the current feature and sends the remote wake-up signal to the PC only if the feature is enabled.

3 Custom HID demo

This demo runs on the STMicroelectronics STM3210B-EVAL, STM3210C-EVAL and STM3210E-EVAL evaluation boards and can be easily tailored to any other hardware.

To select the STMicroelectronics evaluation board used to run the demo, uncomment the corresponding line in the `platform_config.h` file.

3.1 General description

The HID (human interface device) class primarily consists of devices that are used by humans to control the operation of computer systems. Typical examples of HID class devices are standard mouse devices, keyboards, Bluetooth adaptors etc.

For more details on the HID device class, please refer to the “Device Class Definition for HID 1.11” available from the usb.org website.

The custom HID demo is a simple HID demo provided with a small PC applet to give an example of how to create a customized HID based on the native Windows HID driver. It consists of simple data exchanges between the STM3210B-EVAL, STM3210C-EVAL or STM3210E-EVAL board and the PC Host using two interrupt pipes (IN and OUT).

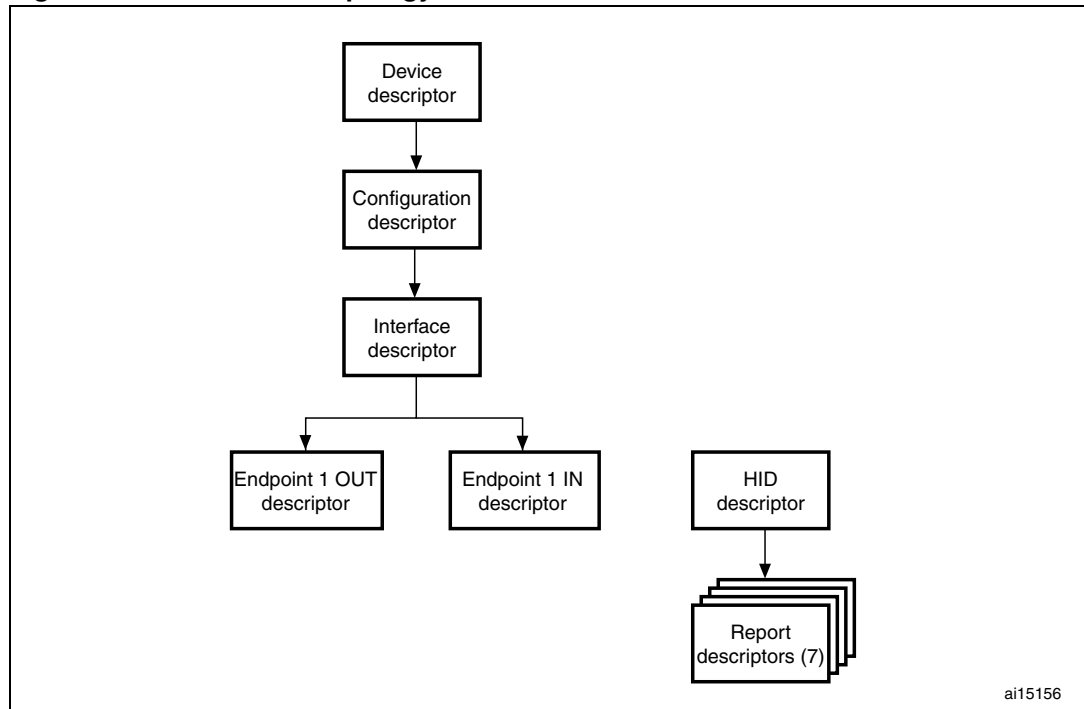
The exchanged data are related to LED commands, push-button state reports and ADC conversion values.

For more details on how to use the PC applet of the custom HID, please refer to the UM0551 user manual “*USB HID demonstrator*” available from the STMicroelectronics microcontroller website www.st.com.

3.2 Descriptor topology

The custom HID topology is based on two interrupt pipes used to handle the data transfer for seven different reports. The following chart shows the custom HID topology.

Figure 4. Custom HID topology



Each report descriptor is related to a specific component in the evaluation board (LEDs, Push-buttons or ADC). The following section describes the functionality of these reports.

3.3 Custom HID implementation

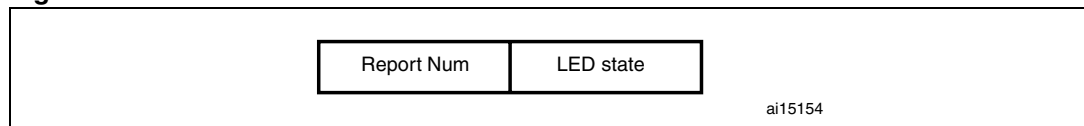
3.3.1 LED control

The STM3210B-EVAL, STM3210C-EVAL and STM3210E-EVAL have four LEDs. In the custom HID demo, each LED corresponds to a specific report (reports 1 to 4) and the LED states (ON/OFF) are set by the PC applet.

When the device receives data on endpoint 1 OUT, the `EP1_OUT_Callback()` function is called to dispatch the received state to the corresponding LED according to the report number. The received data have the format shown in [Figure 5](#), where:

- Report Num: report number from 1 to 4.
- LED state:
 - 0 -> LED off
 - 1 -> LED on

Figure 5. Data OUT format



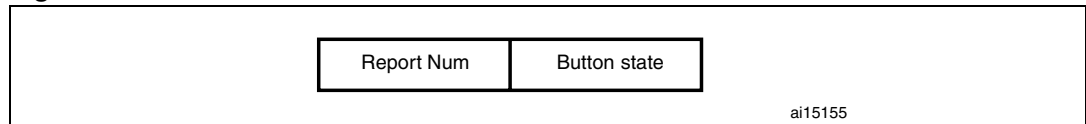
3.3.2 Push-button state report

The states of the Key and Tamper push-buttons are reported to the PC host using the endpoint 1 IN.

The Key push-button corresponds to report 5 and the Tamper push-button, to report 6. When one of the two push-buttons is pressed, the device sends the related report number and the push-button state to the host. *Figure 6* shows the used format, where:

- Report Num: report number 5 or 6.
- Button state: 1 -> button pressed.

Figure 6. Data IN Format



3.3.3 ADC-converted data transfer

This part of the demo consists in transferring the result of the converted voltage connected to the potentiometer of the evaluation board to the PC host. The ADC is configured in continuous mode with DMA data transfer to a RAM variable (ADC_ConvertedValueX). After each conversion the converted value is tested against an old one (ADC_ConvertedValueX_1) and if there is a difference between the two values (potentiometer value changed by a user), the new value is sent to the PC using the endpoint 1 IN.

Note: The data format is the same as the one used for the push-buttons, but the report number (7) is followed by the MSB of the ADC conversion result.

4 Device firmware upgrade

This demo runs on the STMicroelectronics STM3210B-EVAL, STM3210C-EVAL and STM3210E-EVAL evaluation boards and can be easily tailored to any other hardware.

To select the STMicroelectronics evaluation board used to run the demo, uncomment the corresponding line in the `platform_config.h` file.

4.1 General description

This part of the document presents the implementation of a device firmware upgrade (DFU) capability in the STM32F10xxx microcontroller. It follows the DFU class specification defined by the USB Implementers Forum for reprogramming an application through USB. The DFU principle is particularly well suited to USB applications that need to be reprogrammed in the field:

The same USB connector can be used for both the standard operating mode and the reprogramming process.

This operation is made possible by the IAP capability featured by most of the STMicroelectronics USB Flash microcontrollers, which allows a Flash MCU to be reprogrammed by any communication channel.

The DFU process, like any other IAP process, is based on the execution of firmware located in one small part of the Flash memory and that manages the erase and program operations of the others Flash memory modules depending on the device capabilities: it could be the main program/Code Flash, data Flash/EEPROM or any other memory connected to the microcontroller even a serial Flash (Through SPI or I²C etc.). For the STM32F10xxx the DFU Demo is used to program the internal Flash memory and the SPI Flash memory available in the STM3210B-EVAL evaluation board. Likewise, it is used to program the internal Flash memory, the SPI Flash memory and the NOR Flash memory available in the STM3210E-EVAL board. And it is used to program only the internal Flash memory for the STM3210C-EVAL evaluation board.

Refer to the UM0412, *DfuSe USB device firmware upgrade STMicroelectronics extension*, for more details on the driver installation and PC user interface.

Note: If the internal Flash memory where the user application is to be programmed is write- or/and read-protected, it is required to first disable the protection prior to using the DFU.

4.2 DFU extension protocol

4.2.1 Introduction

The DFU class uses the USB as a communication channel between the microcontroller and the programming tool, generally a PC host. The DFU class specification states that, all the commands, status and data exchanges have to be performed through Control Endpoint 0. The command set, as well as the basic protocol are also defined, but the higher level protocol (Data format, error message etc.) remain vendor-specific. This means that the DFU class does not define the format of the data transferred (.s19, .hex, pure binary etc.).

Because it is impractical for a device to concurrently perform both DFU operations and its normal runtime activities, those normal activities must cease for the duration of the DFU operations. Doing so means that the device must change its operating mode; that is, a printer is **not** a printer while it is undergoing a firmware upgrade; it is a Flash/Memory programmer. However, a device that supports DFU is not capable of changing its mode of operation on its own volition. External (human or host operating system) intervention is required.

4.2.2 Phases

There are four distinct phases required to accomplish a firmware upgrade:

1. Enumeration

The device informs the host of its capabilities. A DFU class-interface descriptor and associated functional descriptor embedded within the device's normal run-time descriptors serve this purpose and provide a target for class-specific requests over the control pipe.

2. DFU Enumeration

The host and the device agree to initiate a firmware upgrade. The host issues a USB reset to the device, and the device then exports a second set of descriptors in preparation for the Transfer phase. This deactivates the run-time device drivers associated with the device and allows the DFU driver to reprogram the device's firmware unhindered by any other communications traffic targeting the device.

3. Transfer

The host transfers the firmware image to the device. The parameters specified in the functional descriptor are used to ensure correct block sizes and timing for programming the non-volatile memories. Status requests are employed to maintain synchronization between the host and the device.

4. Manifestation

Once the device reports to the host that it has completed the reprogramming operations, the host issues a USB reset to the device. The device re-enumerates and executes the upgraded firmware.

To ensure that only the DFU driver is loaded, it is considered necessary to change the *id-Product* field of the device when it enumerates the DFU descriptor set. This ensures that the DFU driver will be loaded in cases where the operating system simply matches the vendor ID and product ID to a specific driver.

4.2.3 Requests

A number of DFU class-specific requests are needed to accomplish the upgrade operations. [Table 9](#) summarizes the DFU class-specific requests.

Table 9. Summary of DFU class-specific requests

bmRequest	bRequest	wValue	wIndex	wLength	Data
00100001b	DFU_DETACH (0)	wTimeout	Interface	Zero	None
00100001b	DFU_DNLOAD (1)	wBlockNum	Interface	Length	Firmware
10100001b	DFU_UPLOAD (2)	wBlockNum	Interface	Length	Firmware
10100001b	DFU_GETSTATUS(3)	Zero	Interface	6	Status
00100001b	DFU_CLRSTATUS (4)	Zero	Interface	Zero	None
10100001b	DFU_GETSTATE (5)	Zero	Interface	1	State
00100001b	DFU_ABORT (6)	Zero	Interface	Zero	None

For additional information about these requests, please refer to the DFU Class specification.

4.3 DFU mode selection

The host should be able to enumerate a device with DFU capability in two ways:

- as a single device with only DFU capability
- as a composite device: HID, Mass storage, or any functional class, and with DFU capability.

During the enumeration phase, the device exposes two distinct and independent descriptor sets, each one at the appropriate time:

- Run-time descriptor set: shown when the device performs normal operations
- DFU mode descriptor set: shown when host and device agree to perform DFU operations

4.3.1 Run-time descriptor set

During normal run-time operation, the device exposes its normal set of descriptors plus two additional descriptors:

- Run-time DFU interface descriptor
- Run-time DFU functional descriptor

Note: The number of interfaces in each configuration descriptor that supports the DFU must be incremented by one to accommodate the addition of the DFU interface descriptor.

4.3.2 DFU mode descriptor set

After the host and the device agree to perform DFU operations, the host re-enumerates the device. At this time the device exports the descriptor set shown below:

- DFU Mode Device descriptor
- DFU Mode Configuration descriptor
- DFU Mode Interface descriptor
- DFU Mode Functional descriptor: identical to the Run-Time DFU Functional descriptor

DFU mode device descriptor

This descriptor is only present in the DFU mode descriptor set.

Table 10. DFU mode device descriptor

Offset	Field	Size	Value	Description
0	bLength	1	0x12	Size of this descriptor, in bytes.
1	bDescriptorType	1	0x01	DEVICE descriptor type.
2	bcdUSB	2	0x0100	USB specification release number in binary coded decimal.
4	bDeviceClass	1	0x00	See interface.
5	bDeviceSubClass	1	0x00	See interface.
6	bDeviceProtocol	1	0x00	See interface.
7	bMaxPacketSize0	1	8,16,32,64	Maximum packet size for endpoint zero. 8: for ST7 Low Speed 32: 16: 64: For ST7 Full speed, STR7/9 & STM32F10xxx devices
8	idVendor	1	0x0483	Vendor ID
10	idProduct		0xDF11	Product ID
12	bcdDevice		0x011A	Version of the STMicroelectronics DFU ExtensionSpecification release
14	iManufacturer		Index	Index of string descriptor.
15	iProduct		Index	Index of string descriptor.
16	iSerialNumber		Index	<i>Index of string descriptor.</i>
17	bNumConfigurations		0x01	One configuration only for DFU.

DFU mode configuration descriptor

This descriptor is identical to the standard configuration descriptor described in the USB specification version 1.0, with the exception that the `bInterfaceNum` field must contain the value `0x01`.

- DFU mode interface descriptor
This is the descriptor for the only interface available when operating in DFU mode. Therefore, the value of the `bInterfaceNumber` field is always zero.

Table 11. DFU mode interface descriptor

Offset	Field	Size	Value	Description
0	<code>bLength</code>	1	0x09	Size of this descriptor, in bytes.
1	<code>bDescriptorType</code>	1	0x04	INTERFACE descriptor type.
2	<code>bInterfaceNumber</code>	1	0x00	Number of this interface.
3	<code>bAlternateSetting</code>	1	Number	Alternate setting
4	<code>bNumEndpoints</code>	1	0x00	Only the control pipe is used.
5	<code>bInterfaceClass</code>	1	0xFE	Application Specific Class Code
6	<code>bInterfaceSubClass</code>	1	0x01	Device Firmware Upgrade Code
7	<code>bInterfaceProtocol</code>	1	0x00	The device does not use a class-specific protocol on this interface
8	<code>iInterface</code>	1	Index	Index of string descriptor for this interface

- Alternate settings and string descriptor definition
This section describes the STMicroelectronics implementation for Alternate settings and the corresponding string descriptor set that is not specified by the standard DFU specification in section 4.2.3.
Alternate settings have to be used to access additional memory segments and other memories (Flash memory, RAM, EEPROM) that may be physically implemented in the CPU memory mapping or not, such as external serial SPI Flash memory or external NOR/NAND Flash memory.
In this case, each alternate setting employs a string descriptor to indicate the target memory segment as shown below:
@Target Memory Name/Start Address/Sector(1)_Count*Sector(1)_SizeSector(1)_Type, Sector(2)_Count*Sector(2)_SizeSector(2)_Type, ...
..., Sector(n)_Count*Sector(n)_SizeSector(n)_Type
Another example, for STM32F10xxx Flash microcontroller, is shown below:
@Internal Flash /0x08000000/12*001Ka,116*001Kg" in case of STM3210B-EVAL board.
@Internal Flash /0x08000000/6*002Ka,250*002Kg" in case of STM3210E-EVAL board.
@Internal Flash /0x08000000/6*002Ka,122*002Kg" in case of STM3210C-EVAL board.

Each Alternate setting string descriptor must follow this memory mapping so that the PC Host Software would be able to decode the right mapping for the selected device:

- @: To detect that this is a special mapping descriptor (to avoid decoding standard descriptor)
- /: for separator between zones
- Maximum 8 digits per address starting by "0x"
- /: for separator between zones
- Maximum of 2 digits for the number of sectors
- *: For separator between number of sectors and sector size
- Maximum 3 digits for sector size between 0 and 999
- 1 digit for the sector size multiplier. Valid entries are: B (byte), K (Kilo), M (Mega)
- 1 digit for the sector type as follows:
 - a (0x41): Readable
 - b (0x42): Erasable
 - c (0x43): Readable and Erasable
 - d (0x44): Writeable
 - e (0x45): Readable and Writeable
 - f (0x46): Erasable and Writeable
 - g (0x47): Readable, Erasable and Writeable

Note: *If the target memory is not contiguous, the user can add the new sectors to be decoded just after a slash "/" as shown in the following example:*

```
"@Flash /0xF000/1*4Ka/0xE000/1*4Kg/0x8000/2*24Kg"
```

- DFU functional descriptor
This descriptor is identical for both the runtime and the DFU mode descriptor sets.

Table 12. DFU functional descriptor

Offset	Field	Size	Value	Description
0	bLength	1	0x09	Size of this descriptor, in bytes.
1	bDescriptorType	1	0x21	DFU FUNCTIONAL descriptor type.
2	bmAttributes	1	0x00	<p><i>DFU attributes:</i></p> <ul style="list-style-type: none"> – Bit7: if bit1 is set, the device will have an accelerated upload speed of 4096 bytes per upload command (<i>bitCanAccelerate</i>) 0: No 1: Yes – Bits 6:4: reserved – Bit 3: device will perform a bus detach-attach sequence when it receives a DFU_DETACH request. 0 = no 1 = yes <i>Note: The host must not issue a USB Reset. (bitWillDetach)</i> – Bit 2: device is able to communicate via USB after Manifestation phase (<i>bitManifestation tolerant</i>) 0 = no, must see bus reset 1 = yes – Bit 1: upload capable (<i>bitCanUpload</i>) 0 = no 1 = yes – Bit 0: download capable (<i>bitCanDnload</i>) 0 = no 1 = yes
3	wDetachTimeOut	2	Number	Time, in milliseconds, that the device waits after receipt of the DFU_DETACH request. If this time elapses without a USB reset, then the device terminates the Reconfiguration phase and reverts to normal operation. This represents the maximum time that the device can wait (depending on its timers, etc.). The host may specify a shorter timeout in the DFU_DETACH request.
5	wTransferSize	2	Number	Maximum number of bytes that the device can accept per control-write transaction: wTransferSize depends on the firmware implementation on each MCU.
7	bcdDFUVersion	2	0x011A	Version of the STMicroelectronics DFU ExtensionSpecification release.

4.4 Reconfiguration phase

Once the operator has identified the device and supplied the filename, the host and the device must negotiate to perform the upgrade.

- The host issues a DFU_DETACH request to Control Endpoint EP0.
- The host issues a USB reset to the device. This USB reset is not possible on some PC Host OS versions. To bypass this issue, the USB reset is performed by the MCU depending on the corresponding implementation.
- The device enumerates with the DFU Mode descriptor set, as described above.

- Note:*
- 1 *Some Device application may not be using USB in their run-time mode such as a Motor control application or security system, and USB may be used only for memory upgrade. Those devices are called non-USB application in the scope of this document and the above sequences are not applicable.*
 - 2 *Non-USB applications have to carry out the right procedure to enter the DFU mode. This can be done simply by plugging the USB cable or by jumping to the DFU firmware code while performing an USB reset so that the device would enumerate with the DFU descriptor set.*

4.5 Transfer phase

The transfer phase begins after the device has processed the USB reset and exported the DFU Mode descriptor set. Both downloads and uploads of firmware can take place during this phase. This transfer phase consists of a succession of DFU requests according to the state diagram described in the following sections.

4.5.1 Requests

A number of DFU class-specific requests are needed to accomplish the upgrade/upload operations. [Table 13](#) summarizes these requests.

Table 13. Summary of DFU upgrade/upload requests

bmRequest	bRequest	wValue	wIndex	wLength	Data
00100001b	DFU_DNLOAD (1)	wBlockNum	Interface	Length	Firmware
10100001b	DFU_UPLOAD (2)	wBlockNum	Interface	Length	Firmware
10100001b	DFU_GETSTATUS(3)	Zero	Interface	6	Status
00100001b	DFU_CLRSTATUS (4)	Zero	Interface	Zero	None
10100001b	DFU_GETSTATE (5)	Zero	Interface	1	State
00100001b	DFU_ABORT (6)	Zero	Interface	Zero	None

For additional information about these requests, please refer to the DFU Class specification.

4.5.2 Special command/protocol descriptions

In order to support all features (Address decoding and Memory block to erase etc.) of the DFU Extension implementation from STMicroelectronics, a few format rules are added to the DFU_DNLOAD request. They are defined as shown in [Table 14](#).

Table 14. Special command descriptions

Command	Request	wBlockNum	wLength	Data
Get Commands	DFU_DNLOAD	0	1	0x00
Set Address Pointer	DFU_DNLOAD	0	5	0x21, Address (4bytes)
Erase Sector containing address	DFU_DNLOAD	0	5	0x41, Address (4bytes)

This new custom DFU implements only three supported basic commands:

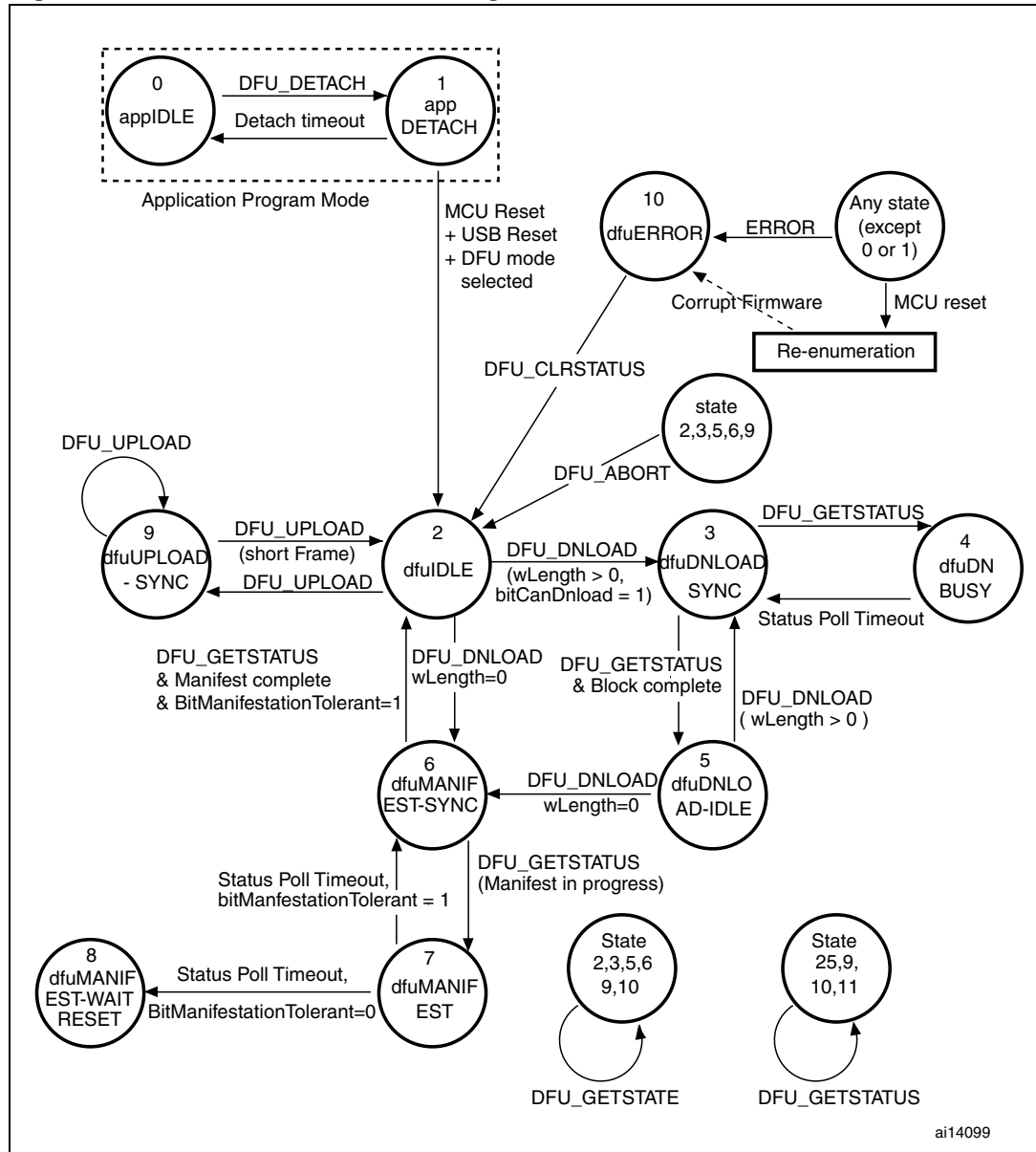
- Get commands
 - Byte0 = 0x00 then no additional bytes.
 - The next DFU_UPLOAD request with wBlockNum = 0 should give the supported commands.
 - The maximum size of the supported commands buffer is **256** bytes and the buffer **must** support the following commands:
 - 0x00 (Get Commands)
 - 0x21 (Set Address Pointer)
 - 0x41 (Erase Sector containing address)
- Set Address Pointer
 - Byte0 = 0x21 then 4 bytes containing the address Pointer from which the Blocks will be downloaded or uploaded starting from the next DFU_DNLOAD or DFU_UPLOAD request with wBlockNum >1.
- Erase Sector containing address
 - Byte0 = 0x41 then 4 bytes containing a valid address contained in a memory sector to be erased and as already exported by the string descriptors of the Alternate settings.

Note: wBlockNum = 1 for both DFU_DNLOAD and DFU_UPLOAD requests is reserved for future STMicroelectronics use.

4.5.3 DFU state diagram

Figure 7 summarizes the DFU interface states and the transitions between them. The events that trigger state transitions can be thought of as arriving on multiple “input tapes” as in the classic Turing machine concept.

Figure 7. Interface state transition diagram



Note: The state transition diagram shown in Figure 7 is almost the same as that defined in the DFU Class specification (Fig A1 page 28), with the exception of the new transition from state 2 to state 6, which is additional and may or not be implemented in the device firmware.

4.5.4 Downloading and uploading

The host slices the firmware image file into N pieces and sends them to the device by means of control-write operations in the default endpoint (Endpoint 0).

The maximum number of bytes that the device can accept per control-write transaction is specified in the `wTransferSize` field of the DFU Functional Descriptor.

There are several possible download mechanisms depending on the MCU device memory mapping and the Type of the memory (that is Readable, Erasable, Writeable or a combination).

The most generic mechanism is described below, where we have a readable, erasable and writeable sector of memory:

- In addition to the data collected after the enumeration phase about the whole memory mapping, the device capabilities etc., the Host starts to send a `GetCommands` command in order to know additional device capabilities and which commands are supported by the DFU implementation.
- The host sends an `Erase Sector Containing Address` command using a `DFU_DNLOAD` request with `wBlockNum = 0` and `wLength = 5`. At this stage, the device erases the memory block where the address sent by the host is located. After the erase operation, the DFU firmware is able to write application data into the erased block.
- The host begins by sending the `Set Address Pointer` command using a `DFU_DNLOAD` request with `wBlockNum = 0` and `wLength = 5`. This address pointer is saved in the device RAM as an `Absolute Offset`.
- The host continues to send the N pieces to the device by means of `DFU_DNLOAD` requests with `wBlockNum` starting from 2 and with the maximum number of bytes that the device can accept per control-write transaction specified in the `wTransferSize` field of the DFU Functional Descriptor.

So the last data written into the memory will be located at device address:

$\text{Absolute Offset} + (\text{wBlockNum} - 2) \times \text{wTransferSize} + \text{wLength}$, where `wBlockNum` and `wLength` are the parameters of the last `DFU_DNLOAD` request.

If the Host wants to upload the memory data for verification, or to retrieve and archive a device firmware, by definition the reverse of a Download is performed:

- The host begins by sending a `Set Address Pointer` command using a `DFU_DNLOAD` request with `wBlockNum = 0` and `wLength = 5`. This address pointer is saved in the device RAM as an `Absolute Offset`.
- The host continues to send N `DFU_UPLOAD` requests with `wBlockNum` starting from 2 and with the maximum number of bytes that the device can accept per control-write transaction specified in the `wTransferSize` field of the DFU Functional Descriptor if `bitCanAccelerate = 0`. If `bitCanAccelerate = 1` in the DFU Functional Descriptor, the value in the `wTransferSize` field is fixed to `0x4096 bytes`.

So the last data retrieved from the memory will be located at device address:

$\text{Absolute Offset} + (\text{wBlockNum} - 2) \times \text{wTransferSize} + \text{wLength}$, where `wBlockNum` and `wLength` are the parameters of the last `DFU_UPLOAD` request.

4.5.5 Manifestation phase

After the transfer phase completes, the device is ready to execute the new firmware. This is achieved by performing a USB reset to re-enumerate the device in normal run-time operation.

4.6 STM32F10xxx DFU implementation

4.6.1 Supported memories

For the STM32F10xxx the DFU implementation supports the following memories:

- Internal Flash memory: the first pages are reserved for the DFU (read-only pages) and the remaining pages can be programmed by the DFU (application zone):
 - In case of STM3210B-EVAL board: the first 12 pages are read only and the remaining 116 pages are in the application zone.
 - In case of STM3210C-EVAL board: the first 6 pages are read only and the remaining 122 pages are in the application zone.
 - In case of STM3210E-EVAL board: the first 6 pages are read only and the remaining 250 pages are in the application zone.
- **External serial Flash memory (M25P64):** consists of 128 sectors of 64 Kbytes each.
- **NOR Flash memory (M29W128):** consists of 256 blocks of 64 Kbytes each. This memory is supported only by the STM3210E-EVAL board.

- Note:*
- 1 To create a DFU image for the internal Flash memory select the Alternate Setting 00 in the DFU file Manager.
 - 2 To create a DFU image for the external serial Flash memory, select the Alternate Setting 01 in the DFU file Manager.
 - 3 To create a DFU image for the NORFlash memory, select the Alternate Setting 02 in the DFU file Manager.

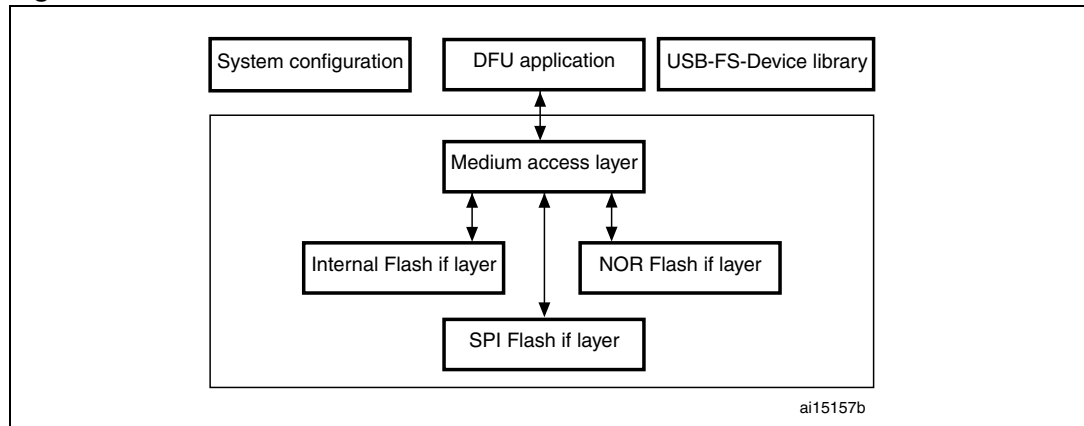
4.6.2 DFU mode entry mechanism

For the STM32F10xxx the DFU mode is entered after an MCU reset if:

- The DFU mode is forced by the user: the user presses the key push-button after a reset.
- There is no correct code available in the application area: before jumping to the application code, the DFU code tests if there is a correct top-of-stack address in the first address in the application area of the internal Flash memory (for the STM32F10xxx the first application address is 0x0800 3000). This is done by reading the value of the first application address and verifying if the MSB half-word is equal to 0x2000 (base address of the RAM area in the STM32F10xxx).

4.6.3 DFU firmware architecture

The DFU application is built around the DFU core which handles the DFU protocol and the medium access layer (MAL). The MAL is like an abstraction layer between the DFU core and the different medium drivers. The MAL uses the base address of each medium to dispatch the write, read and erase operations to the addressed medium.

Figure 8. DFU firmware architecture

4.6.4 Available DFU image for the STM32F10xxx

The available DFU images in the STM32F10xxx USB development kit are:

- Joystick Mouse Demo
- Custom HID Demo
- Mass Storage Demo
- Virtual COM Demo
- Audio Speaker Demo (for the STM3210B-Eval and STM3210E-EVAL evaluation boards)
- Audio Streaming Demo with a 25 MHz external clock (for the STM3210C-Eval evaluation board).
- Audio Streaming Demo with a 14.7456 MHz external clock (for the STM3210C-Eval evaluation board).

4.6.5 How to create a DFU Image

Two steps are needed to create a DFU image:

1. Create a binary image from one of the available USB demo projects by adjusting the Flash memory base to 0x0800 3000 and by setting the vector table at the top of the Flash memory space 0x0800 3000.
2. Using the DFU file manager provided with the DFU demo package, generate the DFU file by setting target ID to 0 (internal Flash) and the start address to 0x0800 3000.

5 Mass storage demo

This demo runs on the STMicroelectronics STM3210B-EVAL, STM3210C-EVAL and STM3210E-EVAL evaluation boards and can be easily tailored to any other hardware.

To select the STMicroelectronics evaluation board used to run the demo, uncomment the corresponding line in the platform_config.h file.

5.1 General description

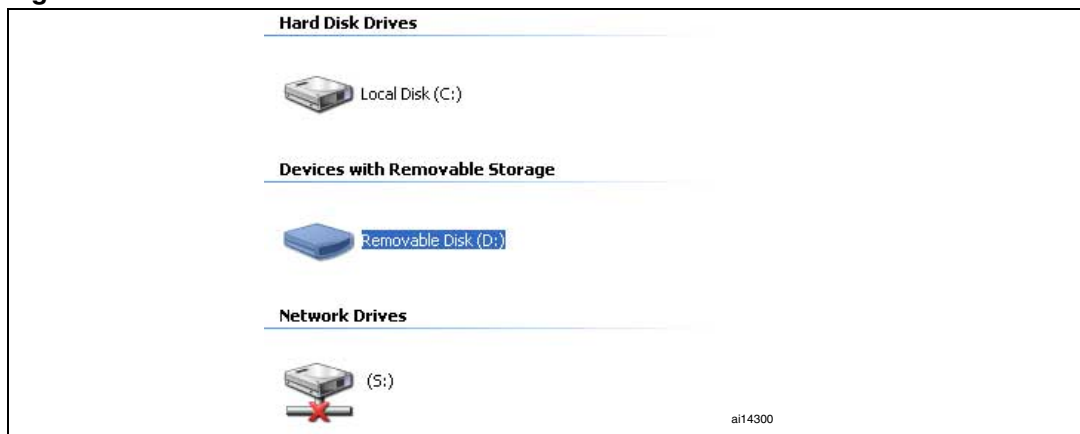
The mass storage demo gives a typical example of how to use the STM32F10xxx USB-FS_Device or OTG-FS_Device peripheral to communicate with the PC host using bulk transfer.

This demo supports the BOT (bulk only transfer) protocol and all needed SCSI (small computer system interface) commands, and is compatible with Windows XP (SP1, SP2, SP3), Windows 2000 (SP4), Windows VISTA and Windows 7.

5.2 Mass storage demo overview

The mass storage demo complies with USB 2.0 and USB mass storage class (bulk-only transfer subclass) specifications. After running the application, the user just has to plug the USB cable into a PC Host and the device is automatically detected without any additional drive (with Win 2000, XP, VISTA and Windows 7). A new removable drive appears in the system window and write/read/format operations can be performed as with any other removable drive (see [Figure 9](#)).

Figure 9. New removable disk in Windows



In this implementation, the used memory support is a microSD™ card for the STM3210B-EVAL and STM3210C-EVAL boards and both a microSD and a NAND Flash for the STM3210E-EVAL board. All related firmware used to initialize, read from and write to the media are available in the msd.c/.h, sdcard.c/.h and nand.c/.h files.

Note: For mass storage class, the device firmware does not need to know or take into account the file system the host is using. The firmware just stores and sends blocks of data as requested by the host.

5.3 Mass storage protocol

5.3.1 Bulk-only transfer (BOT)

The BOT protocol uses only bulk pipes to transfer commands, status and data (no interrupt or control pipes). The default pipe (pipe 0, or in other words, Endpoint 0) is only used to clear the bulk pipe status (clear STALL status) and to issue the two class-specific requests: Mass Storage reset and Get Max LUN.

Command transfer

To send a command, the host uses a specific format called command block wrapper (CBW). The CBW is a 31-byte length packet. [Table 15](#) shows the different fields of a CBW.

Table 15. CBW packet fields

	7	6	5	4	3	2	1	0
0-3	dCBWSignature							
4-7	dCBWTag							
8-11	dCBWDataTransferLength							
12	bmCBWFlags							
13	Reserved (0)				bCBWLUN			
14	Reserved (0)			bCBWCBLength				
15-30	CBWCB							

- **dCBWSignature:** 43425355 : *USBC* (in little Endian)
- **dCBWTag:** The host specifies this field for each command. The device should return the same *dCBWTag* in the associated status.
- **dCBWDataTransferLength:** total number of bytes to transfer (expected by the host).
- **bmCBWFlags:** This field is used to specify the direction of the data transfer (if any). The bits of this field are defined as follows:
 - **Bit 7:** Direction bit:
0: Data Out transfer (host to device).
1: Data In transfer (device to host).
Note: The device ignores this bit if the dCBWDataTransferLength field is cleared to zero.
 - **Bits 6:0:** reserved (cleared to zero).
- **bCBWLUN:** concerned Logical Unit number.
- **bCBWCBLength:** this field specify the length (in bytes) of the command CBWCB.
- **CBWCB:** the command block to be executed by the device.

Status transfer

To inform the host about the status of each received command, the device uses the command status wrapper (CSW). [Table 16](#) shows the different fields of a CSW.

Table 16. CSW packet fields

	7	6	5	4	3	2	1	0
0-3	dCSWSignature							
4-7	dCSWTag							
8-11	dCSWDataResidue							
12	bCSWStatus							

- **dCSWSignature:** 53425355 USBS (little Endian).
- **dCSWTag:** the device sets this field to the received value of *dCBWTag* in the concerned CBW.
- **dCSWDataResidue:** the difference between the expected data (the value of the *dCBWDataTransferLength* field of the concerned CBW) and the real value of the data received or sent by the device.
- **bCSWStatus:** the status of the concerned command. This field can assume one of the three non-reserved values shown in [Table 17](#).

Table 17. Command block status values

Value	Description
0x00	Command passed
0x01	Command failed
0x02	Phase error
0x03=>0xFF	Reserved

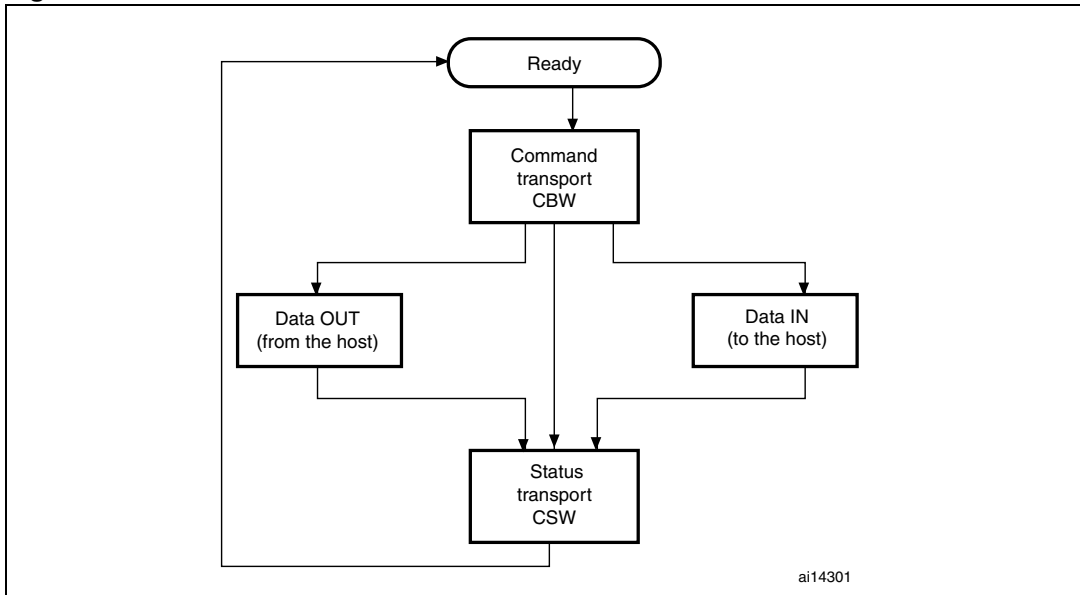
Data transfer

The data transfer phase is specified by the *dCBWDataTransferLength* and *bmCBWFlags* of the correspondent CBW. The host attempts to transfer the exact number of bytes to or from the device.

The diagram shown in [Figure 10](#) shows the state machine of a BOT transfer.

Note: For more information about the BOT protocol please refer to the “Universal Serial Bus Mass Storage Class Bulk-Only Transport” specification.

Figure 10. BOT state machine



5.3.2 Small computer system interface (SCSI)

The SCSI command set is designed to provide efficient peer-to-peer operation of SCSI devices like, for example, hard desks, tapes and mass storage devices. In other words these are used to ensure the communication between an SCSI device and an operating system in a PC host.

[Table 18](#) shows SCSI commands for removable devices. Not all commands are shown. For more information, please refer to the SPC and RBC specifications.

Table 18. SCSI command set

Command name	OpCode	Command support ⁽¹⁾	Description	Reference
Inquiry	0x12	M	Get device information	SPC-2
Read Format Capacities	0x23	M	Report current media capacity and formattable capacities supported by medium	SPC-2
Mode Sense (6)	0x1A	M	Report parameters to the host	SPC-2
Mode Sense (10)		M	Report parameters to the host	SPC-2
Prevent\ Allow Medium Removal	0x1E	M	Prevent or allow the removal of media from a removable media device	SPC-2
Read (10)	0x28	M	Transfer binary data from the medium to the host	RBC
Read Capacity (10)	0x25	M	Report current medium capacity	RBC
Request Sense	0x03	O	Transfer status sense data to the host	SPC-2
Start Stop Unit	0x1B	M	Enable or disable the Logical Unit for medium access operations and controls certain power conditions	RBC
Test Unit Ready	0x00	M	Request the device to report if it is ready	SPC-2
Verify (10)	0x2F	M	Verify data on the medium	RBC
Write (10)	0x2A	M	Transfer binary data from the host to the medium	RBC

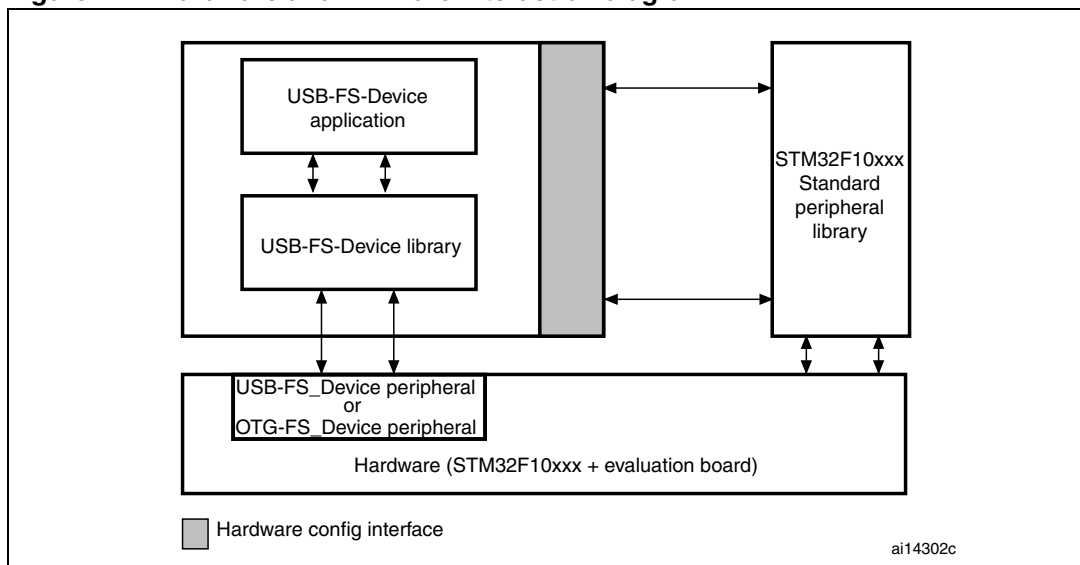
1. Command Support key: M = support is mandatory, O = support is optional.

5.4 Mass storage demo implementations

5.4.1 Hardware configuration interface

The hardware configuration interface is a layer between the USB application (in our case the Mass Storage demo) and the internal/external hardware of the STM32F10xxx microcontroller. This internal and external hardware is managed by the STM32F10xxx standard peripheral library, so from the firmware point of view, the hardware configuration interface is the firmware layer between the USB application and the standard peripheral library. [Figure 11](#) shows the interaction between the different firmware components and the hardware environment.

Figure 11. Hardware and firmware interaction diagram



The hardware configuration layer is represented by the two files *HW_config.c* and *HW_config.h*. For the Mass Storage demo, the hardware management layer manages the following hardware requirements:

- System and USB-FS_Device or OTG-FS_Device peripheral clock configuration
- Read and write LED configuration
- LED command
- Initialize the memory medium
- Get the characteristics of the memory medium (the block size and the memory capacity)

5.4.2 Endpoint configurations and data management

This section provides a description of the configuration and the data flow according to the transfer mode.

Endpoint configurations

The endpoint configurations should be done after each USB reset event, so this part of code is implemented in the `MASS_Reset` function (file `usp_prop.c`).

For STM3210B-EVAL or STM3210E-EVAL:

To configure endpoint 0 it is necessary to:

- Configure endpoint 0 as the default control endpoint
- Configure the endpoint 0 Rx and Tx count and buffer addresses in the BTABLE (`usb_conf.h` file)
- Configure the endpoint Rx status as `VALID` and the Tx status as `NAK`.

The configuration of the bulk pipes (endpoints 1 and 2) is done as follows:

- Configure endpoint 1 as bulk IN
- Configure the endpoint 1 Tx count and data buffer address in the BTABLE (`usb_conf.h` file)
- Disable the endpoint 1 Rx
- Configure the endpoint 1 Tx status as `NAK`
- Configure the endpoint 2 as bulk OUT
- Configure the endpoint 2 Rx count and data buffer address in the BTABLE (`usb_conf.h` file)
- Disable the endpoint 2 Tx
- Configure the endpoint 2 Rx status as `VALID`.

For STM3210C-EVAL (connectivity line devices):

The configuration of endpoint 0 is done in the function `USB_SIL_Init()`

The configuration of the bulk pipes (endpoints 1 and 2) is done as follows:

- Initialize the endpoint direction, type and maximum packet size using the function `OTGD_FS_EP_Init()` which has these parameters:
 - Endpoint Address (and direction): `EPn_IN` for endpoint Tx and `EPn_OUT` for endpoint 2 Rx (where n is the number of the endpoint).
 - Endpoint Type: in this case bulk type should be used for both endpoints
 - Endpoint maximum packet size: the maximum amount of data to be transferred from or to the device endpoint.

Note: For the `OTG-FS_Device`, there is no need to set the status of the endpoints in the initialization phase, unless some application-specific behavior is expected at the beginning of the communication.

Data management

Data management consists of the transfer of the needed data directly from the specified data buffer address in the USB memory, according to the related endpoint (IN: ENDP1TXADDR; OUT: ENDP2RXADDR). For these transfers, the following two functions are used (*usb_sil.c* file):

- **USB_SIL_Read ()**: this function transfers the received bytes from the USB memory to the internal RAM. This function is used to copy the data sent by the host to the device. The number of received data bytes is determined into the function (not passed as parameter) and this value is returned by the function at the end of the operation.
- **USB_SIL_Write ()**: this function transfers the specified number of bytes from the internal RAM to the USB memory. This function is used to send the data from the device to the host.

5.4.3 Class-specific requests

The Mass Storage Class specification describes two class-specific requests:

Bulk-only mass storage reset

This request is used to reset the Mass Storage device and its associated interface. This class-specific request makes the device ready for the next CBW sent by the PC host.

To issue the bulk-only mass storage reset, the host issues a device request on the default pipe (endpoint 0) of:

- *bmRequestType*: Class, Interface, Host to device
- *bRequest* field set to 0xFF
- *wValue* field set to 0
- *wIndex* field set to the interface number (0 for this implementation)
- *wLength* field set to 0

This request is implemented as a no-data class-specific request in the `MASS_NoData_Setup()` function (*usb_prop.c* file).

After receiving this request, the device clears the data toggle of the two bulk endpoints, initializes the CBW signature to the default value and sets the BOT state machine to the BOT_IDLE state to be ready to receive the next CBW.

GET MAX LUN request

A Mass Storage Device may implement several logical units that share common device characteristics. The host uses bCBWLUN to designate which logical unit of the device is the destination of the CBW.

The Get Max LUN device request is used to determine the number of logical units supported by the device.

To issue a Get Max LUN request the host must issue a device request on the default pipe (endpoint 0) of:

- *bmRequestType*: Class, Interface, Host to device
- *bRequest* field set to 0xFE
- *wValue* field set to 0
- *wIndex* field set to the interface number (0 for this implementation)
- *wLength* field set to 1

This request is implemented as a data class-specific request in the `MASS_Data_Setup()` function (*usb_prop.c* file). Note that in case of the STM3210E-EVAL board two LUNs are supported

5.4.4 Standard request requirements

To be compliant with the BOT specification the device must respond to the two following requirements after receiving the same standard requests:

- When the device switches from the unconfigured to the configured state, the data toggle of all endpoints must be cleared. This requirement is served by the `Mass_Storage_SetConfiguration()` function in the *usb_prop.c* file.
- When the host sends a CBW command with an invalid signature or length, the device must keep endpoints 1 and 2 both as STALL until it receives the Mass Storage Reset class-specific request. This functionality is managed by the `Mass_Storage_ClearFeature()` function in the *usb_prop.c* file.

5.4.5 BOT state machine

To provide the BOT protocol, a specific state machine with five states is implemented. The states are described below:

- **BOT_IDLE**: this is the default state after a USB reset, Bulk-Only Mass Storage Reset or after sending a CSW. In this state the device is ready to receive a new CBW from the host
- **BOT_DATA_OUT**: the device enters this state after receiving a CBW with data flow from the host to the device
- **BOT_DATA_IN**: the device enters this state after receiving a CBW with data flow from the device to the host
- **BOT_DATA_IN_LAST**: the device enters this state when sending the last of the data asked for by the host
- **BOT_CSW_SEND**: the device moves to this state when sending the CSW. When the device is in this state and a correct IN transfer occurs, the device moves to the BOT_IDLE state to be able to receive the next CBW
- **BOT_ERROR**: Error state

The BOT state machine is managed using the functions described below (*usb_bot.c* and *usb_bot.h* firmware files):

- **Mass_Storage_In (); Mass_Storage_Out ();** these two functions are called when a correct transfer (IN or OUT) occurs. The aim of these two functions is to provide the next step after receiving/sending a CBW, data or CSW
- **CBW_Decode ();** this function is used to decode the CBW and to dispatch the firmware to the corresponding SCSI command
- **DataInTransfer ();** this function is used to transfer the characteristic device data to the host
- **Set_CSW ();** this function is used to set the CSW fields with the needed parameters according to the command execution
- **Bot_Abort ();** this function is used to STALL the endpoints 1 or 2 (or both) according to the Error occurring in the BOT flow

5.4.6 SCSI protocol implementation

The aim of the SCSI Protocol is to provide a correct response to all SCSI commands needed by the operating system on the PC host. This section details the method of management for all implemented SCSI commands.

- **INQUIRY** command (OpCode = 0x12):
Send the needed inquiry page data (in this demo only page 0 and the standard page are supported) with the needed data length according to the *ALLOCATION LENGTH* field of the command.
- **SCSI READ FORMAT CAPACITIES** command (OpCode = 0x23):
Send the Read Format Capacity data response (*ReadFormatCapacity_Data []* from the *SCSI_data.c* file) after checking the presence of the medium. If no medium has been detected a *MEDIUM_NOT_PRESENT* error is returned to force the host to update its internal parameters.
- **SCSI READ CAPACITY (10)** command (OpCode = 0x25):
Send the Read Capacity (10) data response (*ReadCapacity10_Data []* from the *SCSI_data.c* file) after checking the presence of the medium. If no medium has been detected a *MEDIUM_NOT_PRESENT* error is returned to force the host to update its internal parameters.
- **SCSI MODE SENSE (6)** command (OpCode = 0x1A):
Send the Mode Sense (6) data response (*Mode_Sense6_data []* from the *SCSI_data.c* file).
- **SCSI MODE SENSE (10)** command (OpCode = 0x5A):
Send the Mode Sense (10) data response (*Mode_Sense10_data []* from the *SCSI_data.c* file).
- **SCSI REQUEST SENSE** command (OpCode = 0x03):
Send the Request Sense data response. Note that the *Resquest_Sense_Data []* array (*SCSI_data.c* file) is updated using the *Set_Scsi_Sense_Data ()* function in order to set the *Sense key* and the *ASC* fields according to any error occurring during the transfer.
- **SCSI TEST UNIT READY** command (OpCode = 0x00):
Check the presence of the medium. If no medium has been detected a *MEDIUM_NOT_PRESENT* error is returned to force the host to update its internal parameters.

- **SCSI PREVENTALLOW MEDIUM REMOVAL** command (OpCode = 0x1E):
Always return a CSW with COMMAND PASSED status.
- **SCSI START STOP UNIT** command (OpCode = 0x1B):
This command is sent by the PC host when a user right-clicks on the device (in Windows) and selects the Eject operation. In this case the firmware programs the data in the internal Flash memory using the `Stor_Data_In_Flash()` function.
- **SCSI READ 10** command (OpCode = 0x28) and **SCSI WRITE 10** command (OpCode = 0x2A):
The host issues these two commands to perform a read or a write operation. In these cases the device has to verify the address compatibility with the memory range and the direction bit in the `bmFlag` of the command. If the command is validated the firmware launches the read or write operation from the microSD card.
- **SCSI VERIFY 10** command (OpCode = 0x2F):
The SCSI VERIFY 10 command requests the device to verify the data written on the medium. In this case no Flash-like memory support is used, so when the SCSI VERIFY 10 command is received, the device tests the `BLKVfy` bit. If the `BLKVfy` bit is set to one, a Command Passed status is returned in the CSW.

5.4.7 Memory management

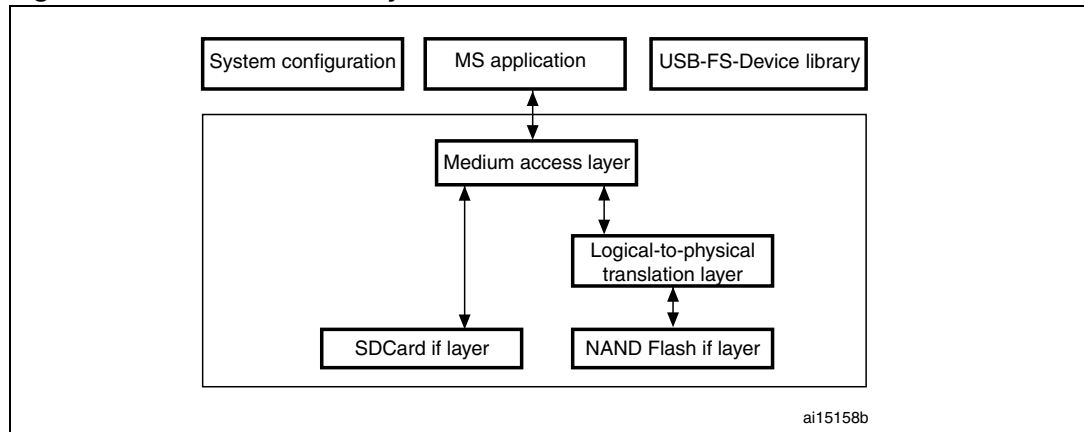
All the memory management functions are grouped in the two files: `memory.c` and `memory.h`. Memory management consists of two basic processes:

- Management and validation of the address range for the SCSI READ (10) and SCSI WRITE (10) commands: this process is done by the `Address_Management_Test()` function. The role of this function is to extract the real address and memory offset in the medium memory and test if the current transfer (Read or Write) is in the memory range. If this is not the case, the function STALLs endpoint 1 or 2 or both endpoints (according to the transfer Read or Write) and returns a bad status to disable the transfer.
- Management of the Read and Write processes: this process is done by the two functions `Read_Memory()` and `Write_Memory()`. These two functions manage the medium access based on the two functions "MAL_WriteBlock" and "MAL_ReadBlock" from the `msc.c` file. After each access, the current memory offset and the next Access Address are updated using the length of the previous transfer.

5.4.8 Medium access management

Logical access to the addressed medium takes place in a separate layer called the medium access layer (`mass_mal.c` and `mass_mal.h`) through the logical unit number (LUN). This layer makes the medium access independent of the upper layer and dispatches write and read operations to the addressed medium.

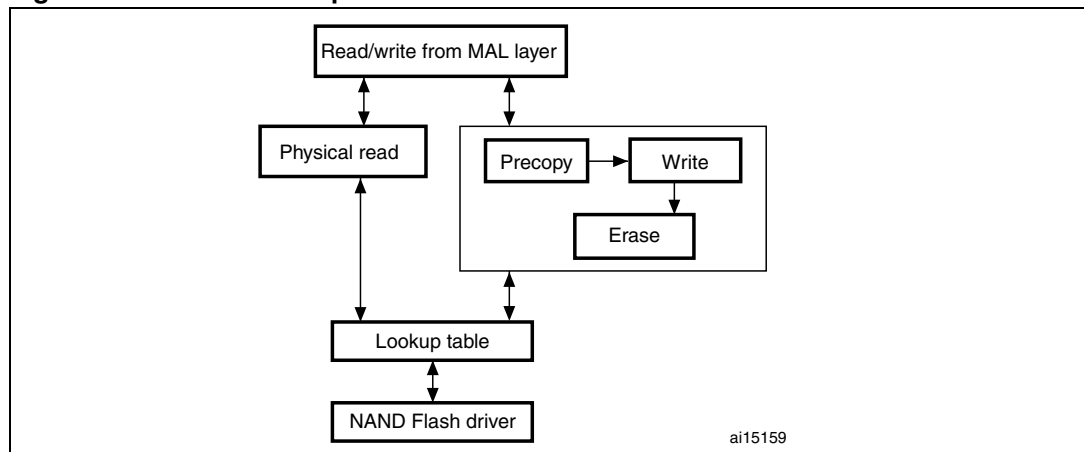
Figure 12. Medium access layer



Physical access to the NAND and physical access to the micro SD are not similar. In the case of the micro SD, write, read and erase operations can be made by page units known as logical sectors. This means that access to the medium is linear and the logical address is the same as the physical one. In the case of the NAND, write and read operations can be made by page unit but erase operations are carried out by block unit. This means that a write operation in a used block is performed in five steps as follows:

- Allocate a free physical block
- Precopy old pages
- Write new pages
- Erase old block
- Assign the current logical address to the new block

Figure 13. NAND write operation



The logical-to-physical layer is used to keep a compatibility between the NAND and the microSD access methods by using the same input parameters for the two media. In the case of the NAND, the physical address is calculated internally and write and read operations are carried out in this layer.

Caution: The build look-up table (LUT) process used to translate logical addresses to physical ones and keep the block status is patented by STMicroelectronics. It is not allowed to use outside the STM32F10xxx firmware, and it should not be reproduced without STMicroelectronics’s agreement.

5.5 How to customize the mass storage demo

The implemented firmware is a simple example used to demonstrate the STM32F10xxx USB peripheral capability in bulk transfer. However it can be customized according to user requirements. This customizing can be done in the three layers of the implemented mass storage protocol:

- **Customizing of the BOT layer:** the user can implement their own BOT state machine or modify the implemented one just by modifying the two files *usb_BOT.c* and *usb_BOT.h* and by keeping the same data transfer method.
- **Customizing of the SCSI layer:** the implemented SCSI protocol presents, more than the supported command listed in [Section 5.4.6: SCSI protocol implementation](#), a list of unsupported commands. When the host sends one of these commands, a corresponding function is called by the *CBW_Decode()* function like a common command. However, all the functions related to unsupported commands are defined by the *SCSI_Invalid_Cmd()* function, (see *usb_scsi.c* file). The *SCSI_Invalid_Cmd()* function STALLs the two endpoints (1 and 2), sets the Sense data to *invalid command key* and sends a CSW with a *Command Failed* status. To support one of the invalid commands, the user has to comment out the concerned line and implement their own process. For example, for the need to support the *SCSI_FormatUnit* command, comment the line:

```
// #define SCSI_FormatUnit_Cmd SCSI_Invalid_Cmd
```

And implement a process in a function with the same name in the *usb_scsi.c* file:

```
void SCSI_Invalid_Cmd (void)
{
    // your implementation
}
```

In this way the custom function is called automatically by the *CBW_Decode()* function (*usb_BOT.c* file).

However if you need to implement a command not listed in the previous list you have to modify the *CBW_Decode()* and implement the protocol of the new command.

Mass storage descriptors

Table 19. Device descriptor

Field	Value	Description
<i>bLength</i>	0x12	Size of this descriptor in bytes
<i>bDescriptorType</i>	0x01	Descriptor type (device descriptor)
<i>bcdUSB</i>	0x0200	USB specification release number: 2.0
<i>bDeviceClass</i>	0x00	Device Class
<i>bDeviceSubClass</i>	0x00	Device subclass
<i>bDeviceProtocol</i>	0x00	Device protocol
<i>bMaxPacketSize0</i>	0x40	Max Packet Size of Endpoint 0: 64 bytes
<i>idVendor</i>	0x0483	Vendor identifier (STMicroelectronics)
<i>idProduct</i>	0x5720	Product identifier
<i>bcdDevice</i>	0x0100	Device release number: 1.00

Table 19. Device descriptor (continued)

Field	Value	Description
<i>iManufacturer</i>	4	Index of the manufacturer String descriptor: 4
<i>iProduct</i>	42	Index of the product String descriptor: 42
<i>iSerialNumber</i>	96	Index of the serial number String descriptor
<i>bNumConfigurations</i>	0x01	Number of possible configurations: 1

Table 20. Configuration descriptor

Field	Value	Description
<i>bLength</i>	0x09	Size of this descriptor in bytes
<i>bDescriptorType</i>	0x02	Descriptor type (configuration descriptor)
<i>wTotalLength</i>	32	Total length (in bytes) of the returned data by this descriptor (including interface endpoint descriptors)
<i>bNumInterfaces</i>	0x0001	Number of interfaces supported by this configuration (only one interface)
<i>bConfigurationValue</i>	0x01	Configuration value
<i>iConfiguration</i>	0x00	Index of the Configuration String descriptor
<i>bmAttributes</i>	0x80	Configuration characteristics: Bus powered
<i>Maxpower</i>	0x32	Maximum power consumption through USB bus: 100 mA

Table 21. Interface descriptors

Field	Value	Description
<i>bLength</i>	0x09	Size of this descriptor in bytes
<i>bDescriptorType</i>	0x04	Descriptor type (Interface descriptor)
<i>bInterfaceNumber</i>	0x00	Interface number
<i>bAlternateSetting</i>	0x00	Alternate Setting number
<i>bNumEndpoints</i>	0x02	Number of used Endpoints: 2
<i>bInterfaceClass</i>	0x08	Interface class: Mass Storage class
<i>bInterfaceSubClass</i>	0x06	Interface subclass: SCSI transparent
<i>bInterfaceProtocol</i>	0x50	Interface protocol: 0x50
<i>iInterface</i>	106	Index of the interface String descriptor

Table 22. Endpoint descriptors

Field	Value	Description
IN ENDPOINT		
<i>bLength</i>	0x07	Size of this descriptor in bytes
<i>bDescriptorType</i>	0x05	Descriptor type (endpoint descriptor)
<i>bEndpointAddress</i>	0x81	IN endpoint address 1.
<i>bmAttributes</i>	0x02	Bulk endpoint
<i>wMaxPacketSize</i>	0x40	64 bytes
<i>bInterval</i>	0x00	Does not apply for bulk endpoints
OUT ENDPOINT		
<i>bLength</i>	0x07	Size of this descriptor in bytes
<i>bDescriptorType</i>	0x05	Descriptor type (endpoint descriptor)
<i>bEndpointAddress</i>	0x02	Out endpoint address 2
<i>bmAttributes</i>	0x02	Bulk endpoint
<i>wMaxPacketSize</i>	0x40	64 bytes
<i>bInterval</i>	0x00	Does not apply for bulk endpoints

6 Virtual COM port demo

This demo runs on the STMicroelectronics STM3210B-EVAL, STM3210C-EVAL and STM3210E-EVAL evaluation boards and can be easily tailored to any other hardware.

To select the STMicroelectronics evaluation board used to run the demo, uncomment the corresponding line in the platform_config.h file.

6.1 General description

In modern PCs, USB is the standard communication port for almost all peripherals. However many industrial software applications still use the classic COM Port (UART). The Virtual COM Port Demo provides a simple solution to bypass this problem. It uses the USB device as a COM port by affecting the legacy PC application designed for COM Port communication.

The Virtual COM Port demo provides the firmware examples for the STM32F10xxx family and the PC driver. This section provides a brief description of the implementation, and shows how to run the demo.

6.2 Virtual COM port demo proposal

The demo proposal is to use the STM3210B-EVAL, the STM3210C-EVAL or the STM3210E-EVAL evaluation board as a USB-to-USART bridge and to provide communication between a laptop (without RS-232 port) and a standard PC workstation as shown in [Figure 14](#). The PC application used in the communication is Windows HyperTerminal. See [Figure 15](#).

Figure 14. Virtual COM Port demo as USB-to-USART bridge

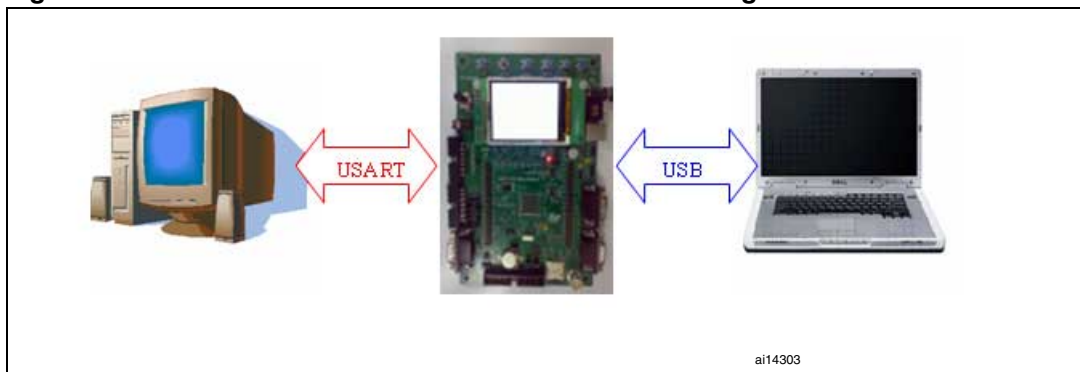
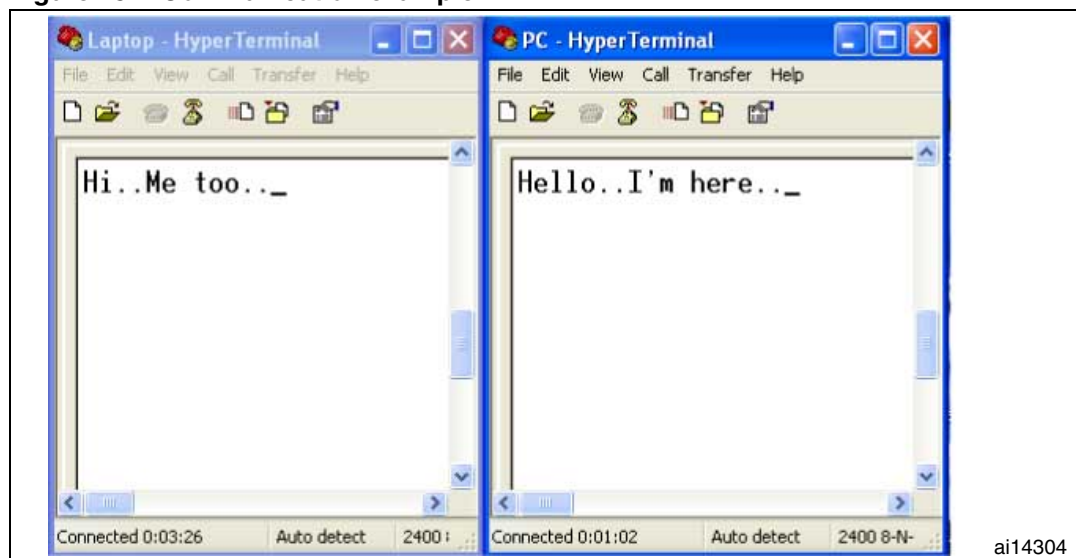


Figure 15. Communication example

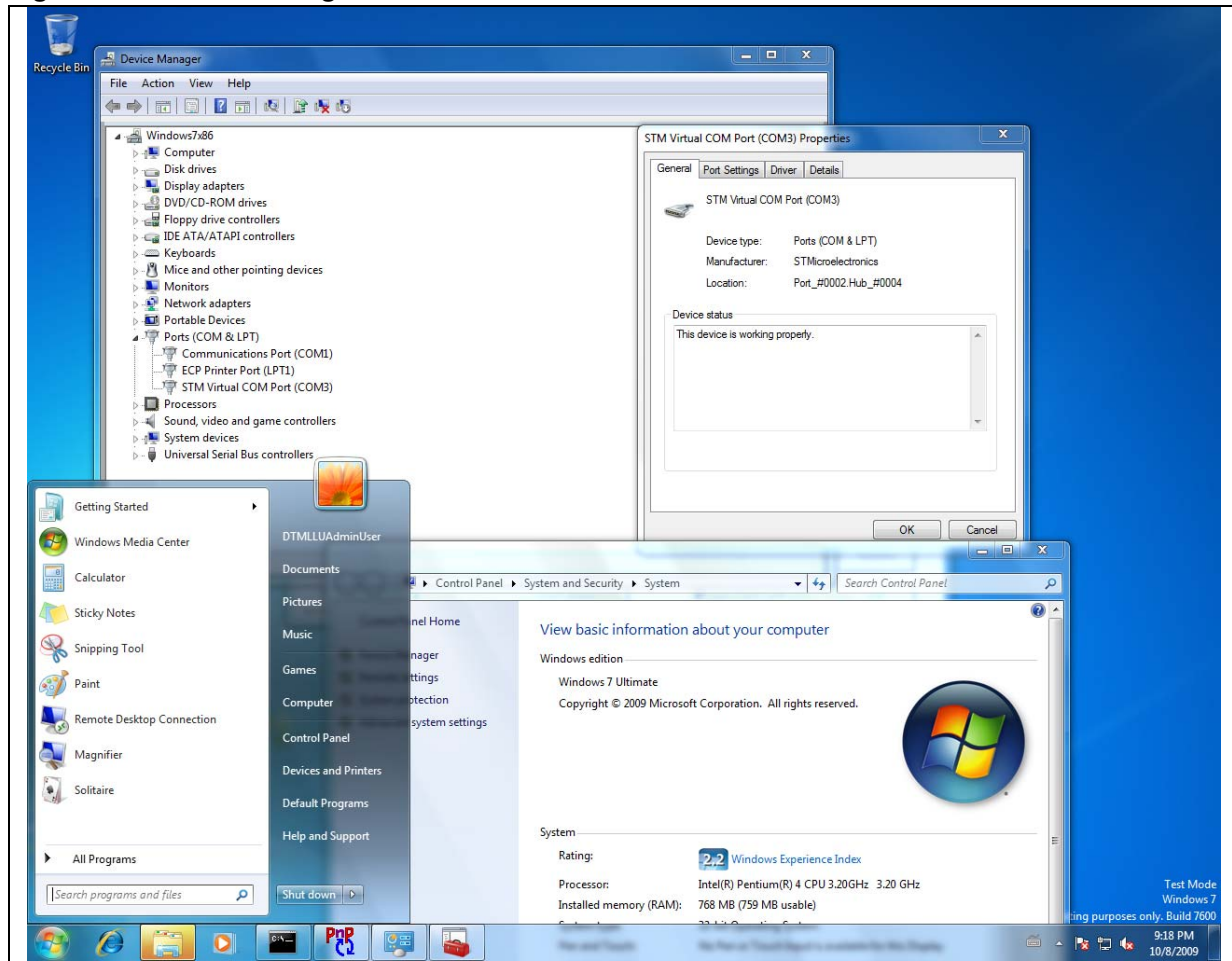


6.3 Software driver installation

To install the software driver of the Virtual COM port, download and execute the “Virtual Com Port Driver Setup” from the STMicroelectronics website: www.st.com.

At the end of the installation, a new COM port appears in the Device Manager window as shown in [Figure 16](#).

Figure 16. Device Manager window



6.4 Implementation

6.4.1 Hardware implementation

The Virtual COM port demo uses USART1 present in the STM3210B-EVAL and STM3210E-EVAL evaluation boards, or USART2 present in the STM3210C-EVAL board. There is no need to add external hardware to run the demo.

6.4.2 Firmware implementation

In order to be considered as a COM port, the USB device has to implement two interfaces according to the Communication Device Class (CDC) specification:

- Abstract Control Model Communication, with 1 Interrupt IN endpoint: in our implementation this interface is declared in the descriptor but the related endpoint (endpoint 2) is not used
- Abstract Control Model Data, with 1 Bulk IN and 1 Bulk OUT endpoint: this interface is represented in the demo by endpoint 1 (IN) and endpoint 3 (OUT). Endpoint 1 is used to send the data received from the UART to the PC through USB. Endpoint 3 is used to receive the data from the PC and send it through the UART.

For more information on the CDC class please refer to the *Universal Serial Bus Class Definitions for Communication Devices* specification provided by the www.usb.org website.

Class-specific requests

To implement a virtual COM port, the device supports the following class-specific requests:

- **SET_CONTROL_LINE_STATE:** RS-232 signal used to tell the device that the Data Terminal Equipment device is now present. This request always returns a USB_SUCCESS status in the `Virtual_Com_Port_NoData_Setup()` function (`usb_prop.c` file).
- **SET_COMM_FEATURE:** controls the settings for a particular communication feature. This request always returns a USB_SUCCESS status in the `Virtual_Com_Port_NoData_Setup()` function (`usb_prop.c` file).
- **SET_LINE_CODING:** sends the configuration of the device. It includes the baud rate, stop-bits, parity, and number-of-character bits. The received data is stored in a specific data structure called “linecoding” and used to update the UART parameters.
- **GET_LINE_CODING:** This command requests the device current baud rate, stop-bits, parity, and number-of-character bits. The device responds to this request with the data stored in the “linecoding” structure.

Hardware configuration interface

The hardware configuration interface (`hw_config.c` and `.h`) in the Virtual COM port manages the following routines:

- Configure the system and peripheral (USB & USART) clock and interrupts
- Initialize the USART to default values
- Configure the USART with the parameters received by the SET_LINE_CODING request
- Send the data received by the USART to the PC through USB
- Send the data received by the USB through USART

Note: For the STM32F10xxx the supported data formats are 7 & 8 bits (in the HyperTerminal) and the bandwidth range is from 1200 to 115200.

7 USB voice speaker demo

This demo runs on the STMicroelectronics STM3210B-EVAL and STM3210E-EVAL evaluation boards and can be easily tailored to any other hardware. To select the STMicroelectronics evaluation board used to run the demo, uncomment the corresponding line in the platform_config.h file.

7.1 General description

The USB voice speaker demo gives examples of how to use the STM32F10xxx USB peripheral to communicate with the PC host in the isochronous transfer mode. They provide a demonstration of the correct method for configuring an isochronous endpoint, receiving or transmitting data from/to the host. They also show how to use the data in a real-time application.

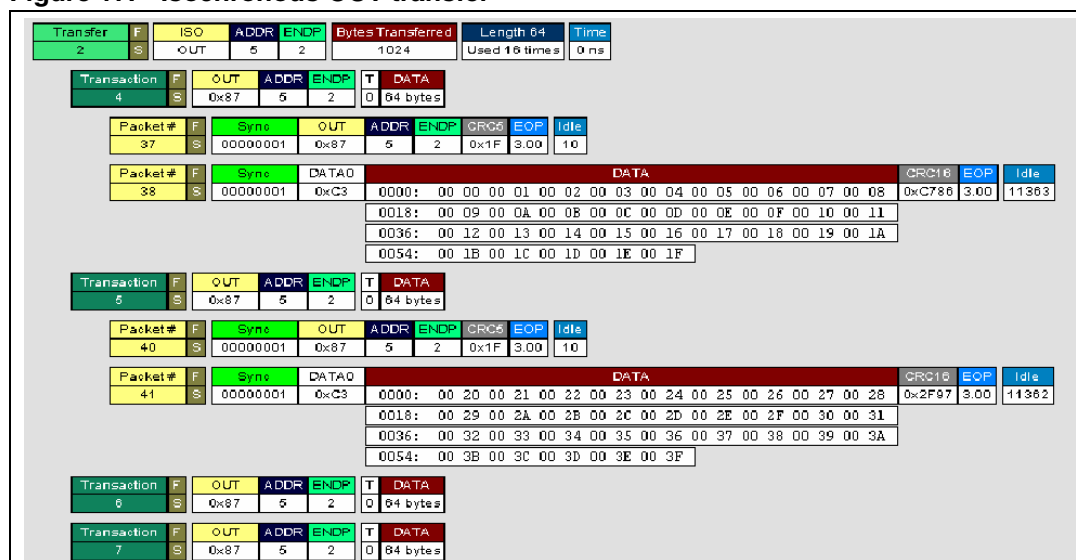
The available voice demo described in this user guide is a USB speaker.

7.2 Isochronous transfer overview

The isochronous transfer is used when the application needs to guarantee the access to the USB bandwidth with bounded latency, constant data rate and without attempting a new data transfer operation in case of failure.

In fact, an isochronous transaction does not have a handshake phase and no ACK packet is expected or sent after the data packet. *Figure 17* shows an example of an isochronous OUT transfer with 64 bytes in the data packet.

Figure 17. Isochronous OUT transfer



Typical examples of application use of the isochronous transfer mode are audio samples, compressed video streams and, in general, any sort of sampled data with strict requirements for the accuracy of the delivered frequency. Please see the USB 2.0 specifications for more details on the USB isochronous transfer mode characteristics.

7.3 Audio device class overview

An audio device, as defined by the Universal Serial Bus Class Definition for Audio Devices specification, is a device or a function embedded in composite devices that are used to manipulate audio, voice, and sound-related functionality. This includes both audio data (analog and digital) and the functionality that is used to directly control the audio environment, such as *volume* and *tone control*.

All audio devices are grouped, from the USB point of view, in the audio interface class. This class is divided into several subclasses. The Universal Serial Bus Class Definition for Audio Devices specification details the three following subclasses:

- **AudioControl Interface subclass (AC):** each audio function has a single AudioControl interface. The AC interface is used to control the functional behavior of a particular audio function. To achieve this functionality, this interface can use the following endpoints:

- A control endpoint (endpoint 0) for manipulating unit and terminal settings and retrieving the state of the audio function using class-specific requests.
- An interrupt endpoint for status returns. This endpoint is optional.

The AudioControl interface is the single entry point to access the internals of the audio function. All requests that are concerned with the manipulation of certain audio controls within the audio function's units or terminals must be directed to the AudioControl interface of the audio function. Likewise, all descriptors related to the internals of the audio function are part of the class-specific AudioControl interface descriptor.

The AudioControl interface of an audio function may support multiple alternate settings. Alternate settings of the AudioControl interface could for instance be used to implement audio functions that support multiple topologies by presenting different class-specific AudioControl interface descriptors for each alternate setting.

- **AudioStreaming Interface Subclass (AS):** AudioStreaming interfaces are used to interchange digital audio data streams between the host and the audio function. They are optional. An audio function can have zero or more AudioStreaming interfaces associated with it, each possibly carrying data of a different nature and format. Each AudioStreaming interface can have at most one isochronous data endpoint.
- **MIDIStreaming Interface Subclass (MIDIS):** MIDIStreaming interfaces are used to transport MIDI data streams into and out of the audio function.

To be able to manipulate the physical properties of an audio function, its functionality must be divided into addressable entities. Two types of such generic entities are identified and are called *units* and *terminals*. The Universal Serial Bus Class Definition for Audio Devices specification defines seven types of standard units and terminals that are considered adequate to represent most audio functions. These are:

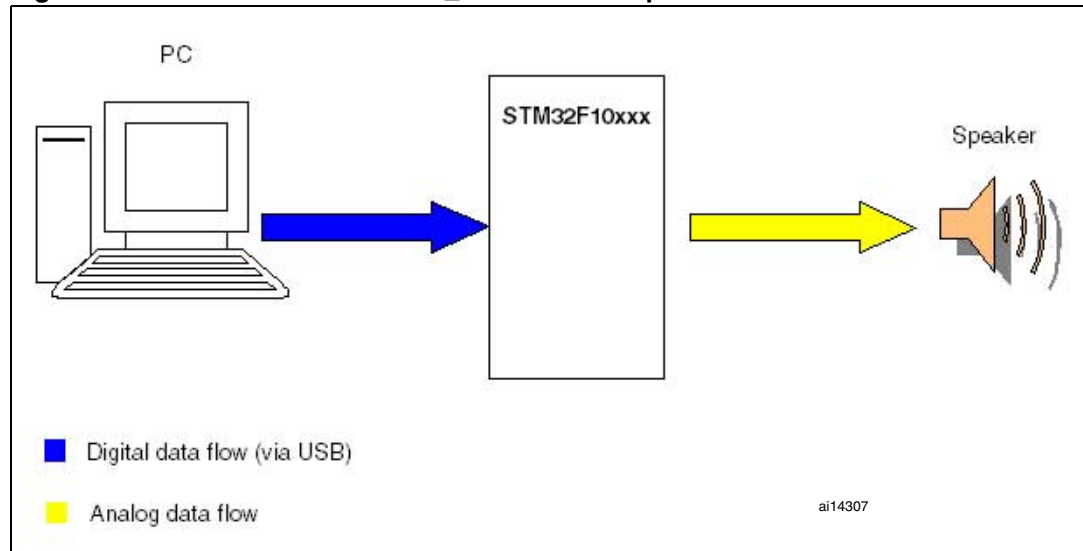
- Input Terminal
- Output Terminal
- Mixer Unit
- Selector Unit
- Feature Unit
- Processing Unit
- Extension Unit.

For more information about the audio class characteristics and requirements please refer to the *Universal Serial Bus Device Class Definition for Audio Devices specification* provided by the usb.org website.

7.4 STM32F10xxx USB audio speaker demo

The purpose of the USB audio speaker demo is to receive the audio stream (data) from a PC host using the USB and to play it back via the STM32F10xxx MCU. [Figure 18: STM32F10xxx USB-FS_Device audio speaker demo data flow](#) represents the data flow between the PC host and the audio speaker.

Figure 18. STM32F10xxx USB-FS_Device audio speaker demo data flow

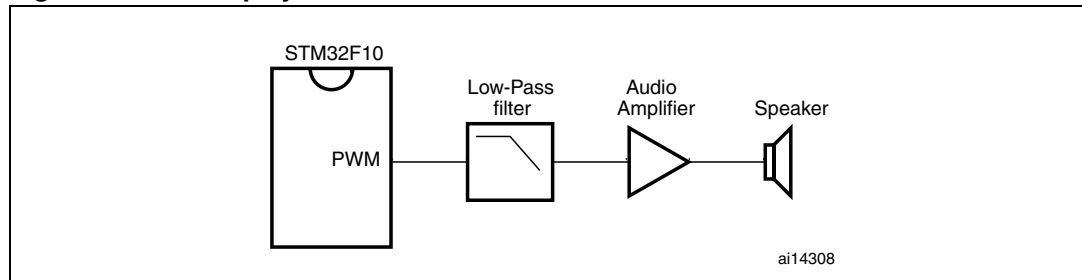


7.4.1 General characteristics

- USB device characteristics:
 - Endpoint 0: used to enumerate the device and to respond to class-specific requests. The maximum packet size of this endpoint is 64 bytes.
 - Endpoint 1 (OUT): used to receive the audio stream from the PC host with a maximum packet size up to 22 bytes.
- Audio characteristics:
 - Audio data format: Type I / PCM8 format / Mono.
 - Audio data resolution: 8 bits.
 - Sample frequency: 22 kHz.
- Hardware requirements:

In the case of the STM3210B-EVAL board, since the STM32F10xxx MCU does not have an on-chip DAC to generate the analog data flow, an alternate method is used to implement 1 channel DAC. This method consists in using the build-in pulse width modulation (PWM) module to generate a signal whose pulse width is proportional to the amplitude of the sample data. The PWM output signal is then integrated by a low-pass filter to remove high-frequency components, leaving only the low-frequency content. The output of the low-pass filter provides a reasonable reproduction of the original analog signal. [Figure 19](#) shows the Audio playback diagram flow using the built-in PWM. In the case of the STM3210E-EVAL, the I²S standalone audio peripheral is used to generate the audio data.

Figure 19. Audio playback flow



7.4.2 Implementation

This section describes the hardware and software solution used to implement a USB audio speaker using the STM32F10xxx microcontroller.

Hardware implementation

In the case of the STM3210B-EVAL board, to implement the PWM feature the following STM32F10xxx built-in timers are used:

- TIM2 in output compare timing mode to act as system timer.
- TIM4 in PWM mode

In the case of the STM3210E-EVAL board, the I²S standalone audio peripheral directly generates the audio data.

Firmware implementation

The aim of the STM32F10xxx speaker demo is to store the data (Audio Stream) received from the host in a specific buffer called *Stream_Buffer* and to use the PWM to play one stream (8-bit format) every 45.45 μ s (~ 22 kHz).

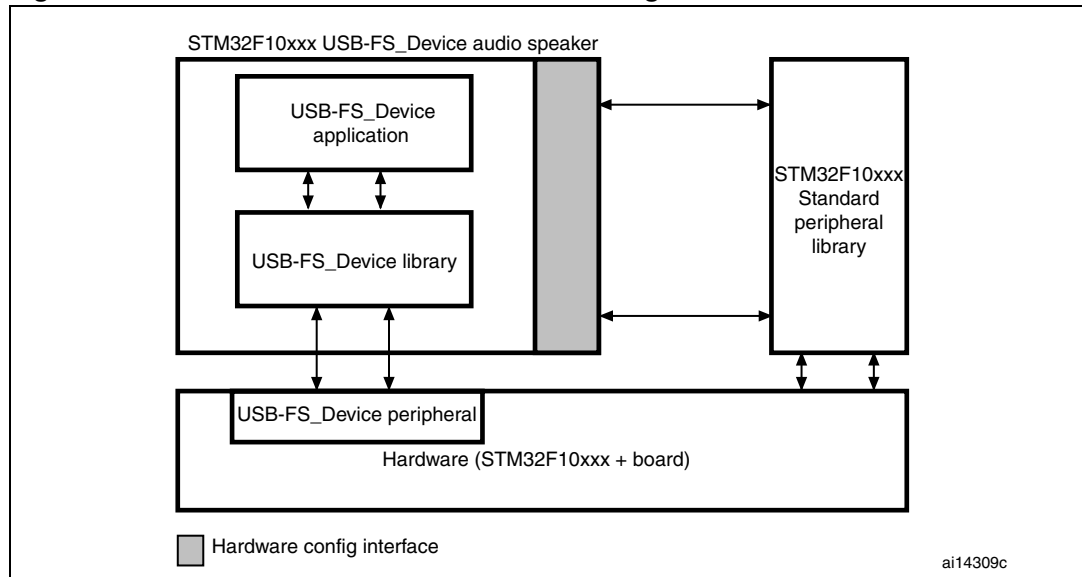
a) Hardware configuration interface:

The hardware configuration interface is a layer between the USB application (in our case the USB device Audio Speaker) and the internal/external hardware of the STM32F10xxx microcontroller. This internal and external hardware is managed by the STM32F10xxx's standard peripheral library, so from the firmware point of view, the hardware configuration interface is the firmware layer between the USB-FS_Device application and the standard peripheral library. [Figure 20](#) shows the interaction between the different firmware components and the hardware environment.

The hardware configuration layer is represented by the two files *hw_config.c* and *hw_config.h*. For the USB audio speaker demo, the hardware management layer manages the following hardware requirements:

- System and USB peripheral clock configuration
- Timer configuration (when STM3210B-EVAL is used)
- I²S configuration (when STM3210E-EVAL is used)

Figure 20. Hardware and firmware interaction diagram



b) Endpoint configurations:

In the STM32F10xxx USB device speaker demo, two endpoints are used to communicate with the PC host: endpoint 0 and endpoint 1. Note that endpoint 1 is an Isochronous OUT endpoint and this kind of endpoint is managed by the STM32F10xxx USB device peripheral using the double buffer mode so the firmware has to provide two data buffers in the Packet Memory Area for this endpoint. The following C code describes the method used to configure an isochronous OUT endpoint (see the *usb_prop.c* file, *Speaker_Reset ()* function).

```

/* Initialize Endpoint 1 */
SetEPTType(ENDP1, EP_ISOCHRONOUS);
SetEPDblBuffAddr (ENDP1, ENDP1_BUF0Addr, ENDP1_BUF1Addr);
SetEPDblBuffCount (ENDP1, EP_DBUF_OUT, 22);
ClearDTOG_RX (ENDP1);
ClearDTOG_TX (ENDP1);
ToggleDTOG_TX (ENDP1);
SetEPRxStatus (ENDP1, EP_RX_VALID);
SetEPTxStatus (ENDP1, EP_TX_DIS);

```

c) Class-specific request

This implementation supports only Mute control. This feature is managed by the *Mute_command* function (*usb_prop.c* file).

d) Isochronous data transfer management

As detailed before, the STM32F10xxx manages the isochronous data transfer using the double buffer mode. So to copy the received data from the PMA to the *Stream_Buffer*, the swapping between the two PMA buffers (*ENDP1_BUF0Addr* and *ENDP1_BUF1Addr*) has to be managed. Swapping access to the PMA is managed according to the buffer usage between the USB peripheral and the firmware. This operation is provided by the *EP1_OUT_Callback ()* function (*usb_endp.c* file). After the end of the copy process, a global variable called *IN_Data_Offset* is updated by the number of bytes received and copied in the *Stream_Buffer*.

e) Audio Playing Implementation:

To play back the audio samples received from the host when using the STM3210B-EVAL board, Timer TIM4 is programmed to generate a 125.5 kHz PWM signal and the TIM2 is programmed to generate an interrupt at a frequency equal to 22 kHz. On each TIM2 interrupt one Audio Stream is used to update the pulse of the PWM. A global variable (*Out_Data_Offset*) is used to point to the next Stream to play in Stream buffer.

When the I²S audio peripheral is used in the STM3210E-EVAL board, the *Out_Data_Offset* variable controls the streaming flow to synchronize the data from the USB with the Stream buffer used by the I²S peripheral.

Note: Note that both “*IN_Data_Offset*” and “*Out_Data_Offset*” are initialized to 0 in each Start of frame interrupt (see *usb_istr.c* file, *SOF_Callback()* function) to avoid the overflow of the “*Stream_Buffer*”.

Audio speaker descriptors

Table 23. Device descriptors

Field	Value	Description
<i>bLength</i>	0x12	Size of this descriptor in bytes
<i>bDescriptorType</i>	0x01	Descriptor type (Device descriptor)
<i>bcdUSB</i>	0x0200	USB specification Release number: 2.0
<i>bDeviceClass</i>	0x00	Device class
<i>bDeviceSubClass</i>	0x00	Device subclass
<i>bDeviceProtocol</i>	0x00	Device protocol
<i>bMaxPacketSize0</i>	0x40	Max packet size of Endpoint 0: 64 bytes;
<i>idVendor</i>	0x0483	Vendor identifier (STMicroelectronics)
<i>idProduct</i>	0x5730	Product identifier
<i>bcdDevice</i>	0x0100	Device release number: 1.00
<i>iManufacturer</i>	0x01	Index of the manufacturer string descriptor: 1
<i>iProduct</i>	0x02	Index of the product string descriptor: 2
<i>iSerialNumber</i>	0x03	Index of the serial number string descriptor: 3
<i>bNumConfigurations</i>	0x01	Number of possible configurations: 1

Table 24. Configuration descriptors

Field	Value	Description
<i>bLength</i>	0x09	Size of this descriptor in bytes
<i>bDescriptorType</i>	0x02	Descriptor type (Configuration descriptor)
<i>wTotalLength</i>	0x006D	Total length (in bytes) of the returned data by this descriptor (including interface endpoint descriptors)
<i>bNumInterfaces</i>	0x02	Number of interfaces supported by this configuration (two interfaces)
<i>bConfigurationValue</i>	0x01	Configuration value
<i>iConfiguration</i>	0x00	Index of the Configuration String descriptor
<i>bmAttributes</i>	0x80	Configuration characteristics: Bus powered
<i>Maxpower</i>	0x32	Maximum power consumption through USB bus: 100 mA

Table 25. Interface descriptors

Field	Value	Description
USB speaker standard interface AC descriptor (Interface 0, alternate setting 0)		
<i>bLength</i>	0x09	Size of this descriptor in bytes
<i>bDescriptorType</i>	0x04	Descriptor type: Interface descriptor
<i>bInterfaceNumber</i>	0x00	Interface number
<i>bAlternateSetting</i>	0x00	Alternate setting number
<i>bNumEndpoints</i>	0x00	Number of used endpoints: 0 (only endpoint 0 is used for this interface)
<i>bInterfaceClass</i>	0x01	Interface class: USB DEVICE CLASS AUDIO
<i>bInterfaceSubClass</i>	0x01	Interface subclass: AUDIO SUBCLASS AUDIOCONTROL
<i>bInterfaceProtocol</i>	0x00	Interface protocol: AUDIO PROTOCOL UNDEFINED
<i>iInterface</i>	0x00	Index of the interface string descriptor
USB speaker class-specific AC interface descriptor		
<i>bLength</i>	0x09	Size of this descriptor in bytes
<i>bDescriptorType</i>	0x24	Descriptor type: AUDIO INTERFACE DESCRIPTOR TYPE
<i>bDescriptorSubtype</i>	0x01	Descriptor Subtype: AUDIO CONTROL HEADER
<i>bcdADC</i>	0x0100	bcdADC:1.00
<i>wTotalLength</i>	0x0027	Total Length: 39
<i>bInCollection</i>	0x01	Number of streaming interfaces: 1
<i>baInterfaceNr</i>	0x01	baInterfaceNr: 1
USB speaker input terminal descriptor		
<i>bLength</i>	0x0C	Size of this descriptor in bytes: 12
<i>bDescriptorType</i>	0x24	Descriptor type: AUDIO INTERFACE DESCRIPTOR TYPE

Table 25. Interface descriptors (continued)

Field	Value	Description
<i>bDescriptorSubtype</i>	0x02	Descriptor Subtype: AUDIO CONTROL INPUT TERMINAL
<i>bTerminalID</i>	0x01	Terminal ID: 1
<i>wTerminalType</i>	0x0101	Terminal type: AUDIO TERMINAL USB STREAMING
<i>bAssocTerminal</i>	0x00	No association
<i>bNrChannels</i>	0x01	One channel
<i>wChannelConfig</i>	0x0000	Channel Configuration: MONO
<i>iChannelNames</i>	0x00	Unused
<i>iTerminal</i>	0x00	Unused
USB speaker audio feature unit descriptor		
<i>bLength</i>	0x09	Size of this descriptor in bytes
<i>bDescriptorType</i>	0x24	Descriptor type: AUDIO INTERFACE DESCRIPTOR TYPE
<i>bDescriptorSubtype</i>	0x06	DescriptorSubtype: AUDIO CONTROL FEATURE UNIT
<i>bUnitID</i>	0x02	Unit ID: 2
<i>bSourceID</i>	0x01	Source ID:1
<i>bControlSize</i>	0x01	Control Size:1
<i>bmaControls</i>	0x0001	Only the control of the MUTE is supported
<i>iTerminal</i>	0x00	Unused
USB speaker output terminal descriptor		
<i>bLength</i>	0x09	Size of this descriptor in bytes
<i>bDescriptorType</i>	0x24	Descriptor type: AUDIO INTERFACE DESCRIPTOR TYPE
<i>bDescriptorSubtype</i>	0x03	Descriptor subtype: AUDIO CONTROL OUTPUT TERMINAL
<i>bTerminalID</i>	0x03	Terminal ID: 3
<i>wTerminalType</i>	0x0301	Terminal Type: AUDIO TERMINAL SPEAKER
<i>bAssocTerminal</i>	0x00	No association
<i>bSourceID</i>	0x02	Source ID:2
<i>iTerminal</i>	0x00	Unused
USB speaker standard AS interface descriptor - audio streaming zero bandwidth (Interface 1, alternate setting 0)		
<i>bLength</i>	0x09	Size of this descriptor in bytes
<i>bDescriptorType</i>	0x24	Descriptor type: AUDIO INTERFACE DESCRIPTOR TYPE
<i>bInterfaceNumber</i>	0x01	Interface Number: 1
<i>bAlternateSetting</i>	0x00	Alternate Setting: 0
<i>bNumEndpoints</i>	0x00	not used (zero bandwidth)
<i>bInterfaceClass</i>	0x01	Interface class: USB DEVICE CLASS AUDIO

Table 25. Interface descriptors (continued)

Field	Value	Description
<i>bInterfaceSubClass</i>	0x02	Interface subclass: AUDIO SUBCLASS AUDIOSTREAMING
<i>bInterfaceProtocol</i>	0x00	Interface protocol: AUDIO PROTOCOL UNDEFINED
<i>iInterface</i>	0x00	Unused
USB speaker standard AS interface descriptor - audio streaming operational (Interface 1, Alternate setting 1)		
<i>bLength</i>	0x09	Size of this descriptor in bytes
<i>bDescriptorType</i>	0x24	Descriptor type: AUDIO INTERFACE DESCRIPTOR TYPE
<i>bInterfaceNumber</i>	0x01	Interface number: 1
<i>bAlternateSetting</i>	0x01	Alternate Setting: 1
<i>bNumEndpoints</i>	0x01	One Endpoint.
<i>bInterfaceClass</i>	0x01	Interface class: USB CLASS AUDIO
<i>bInterfaceSubClass</i>	0x02	Interface subclass: AUDIO SUBCLASS AUDIOSTREAMING
<i>bInterfaceProtocol</i>	0x00	Interface protocol: AUDIO PROTOCOL UNDEFINED
<i>iInterface</i>	0x00	Unused
USB speaker audio streaming interface descriptor		
<i>bLength</i>	0x07	Size of this descriptor in bytes
<i>bDescriptorType</i>	0x24	Descriptor type: AUDIO INTERFACE DESCRIPTOR TYPE
<i>bInterfaceNumber</i>	0x01	Interface number: 1
<i>bAlternateSetting</i>	0x01	Alternate Setting: 1
<i>bNumEndpoints</i>	0x01	One Endpoint.
<i>wFormatTag</i>	0x0002	PCM8 format
USB speaker audio type I format interface descriptor		
<i>bLength</i>	0x0B	Size of this descriptor in bytes
<i>bDescriptorType</i>	0x24	Descriptor type: AUDIO INTERFACE DESCRIPTOR TYPE
<i>bDescriptorSubtype</i>	0x03	Descriptor subtype: AUDIO STREAMING FORMAT TYPE
<i>bFormatType</i>	0x01	Format type: Type I
<i>bNrChannels</i>	0x01	Number of channels: one channel
<i>bSubFrameSize</i>	0x01	Subframe size: one byte per audio subframe
<i>bBitResolution</i>	0x08	Bit resolution: 8 bits per sample
<i>bSamFreqType</i>	0x01	One frequency supported
<i>tSamFreq</i>	0x0055F0	22 kHz

Table 26. Endpoint descriptors

Field	Value	Description
Endpoint 1 - standard descriptor		
<i>bLength</i>	0x07	Size of this descriptor in bytes
<i>bDescriptorType</i>	0x05	Descriptor type (endpoint descriptor)
<i>bEndpointAddress</i>	0x01	OUT Endpoint address 1.
<i>bmAttributes</i>	0x01	Isochronous Endpoint
<i>wMaxPacketSize</i>	0x0016	22 bytes
<i>bInterval</i>	0x00	Unused
Endpoint 1 - Audio streaming descriptor		
<i>bLength</i>	0x07	Size of this descriptor in bytes
<i>bDescriptorType</i>	0x25	Descriptor type: AUDIO ENDPOINT DESCRIPTOR TYPE
<i>bDescriptor</i>	0x01	AUDIO ENDPOINT GENERAL
<i>bmAttributes</i>	0x80	<i>bmAttributes</i> : 0x80
<i>bLockDelayUnits</i>	0x00	Unused
<i>wLockDelay</i>	0x0000	Unused

8 USB audio streaming demo

This demo runs on the STMicroelectronics STM3210C-EVAL evaluation board and can be easily tailored to any other hardware.

8.1 General description

The USB audio streaming demo gives an example of how to use the STM32F10xxx OTG-FS_Device peripheral combined with the audio-class I2S peripheral to communicate with a PC host in isochronous transfer mode and output a high quality audio stream. It is based on the USB voice demo with enhancements and use of the audio-class I2S peripheral performance.

The available voice demo described in this user guide is a USB speaker.

8.2 STM32F10xxx USB audio streaming demo

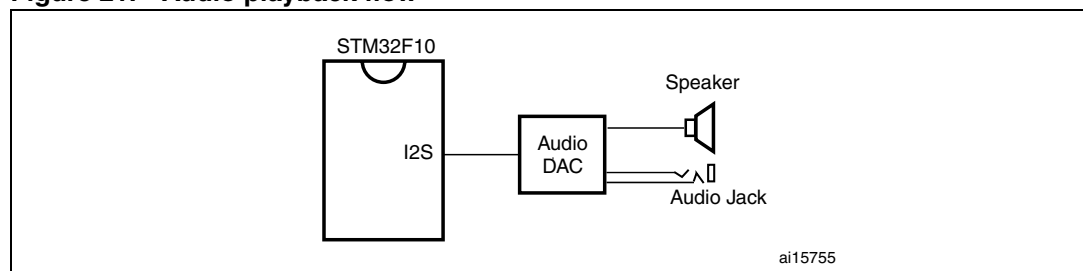
The purpose of the USB audio streaming demo is to receive the audio Stream (data) from a PC host using the OTG-FS_Device peripheral and to play it back via the STM32F10xxx audio-class I2S peripheral. The data flow and hardware used is basically similar to the voice demo described in [Section 7](#).

8.2.1 General characteristics

- OTG-FS_Device characteristics:
 - Endpoint 0: used to enumerate the device and to respond to class-specific requests. The maximum packet size of this endpoint is 64 bytes.
 - Endpoint 1 (OUT): used to receive the audio stream from the PC host with a configurable maximum packet size (according to the desired audio rate, fixed in the usb_conf.h file through the define AUDIO_FREQ_xxK. Uncomment the corresponding define to use the selected audio frequency.
- Audio characteristics:
 - Audio data format: Type III / PCM format (16 bits) / Stereo.
 - Audio data resolution: 16 bits.
 - Sample frequency: pre-fixed frequency: 8, 11.025, 16, 22.05, 32, 44.1 or 48 kHz.
- Hardware requirements:

For the STM3210C-EVAL, the I²S standalone audio peripheral is used to generate the audio data.

Figure 21. Audio playback flow



8.2.2 Implementation

This section describes the hardware and software solution used to implement a USB audio streaming using the STM32F10xxx microcontroller.

Hardware implementation

For the STM3210C-EVAL board, the I²S standalone audio peripheral directly generates the audio data using DMA transfers.

Firmware implementation

The aim of the STM32F10xxx audio streaming demo is to store the data (Audio Stream) received from the host in a multi buffer called *Isoc_Buffer* and to use the I2S combined with the DMA to play a stream (16-bit format).

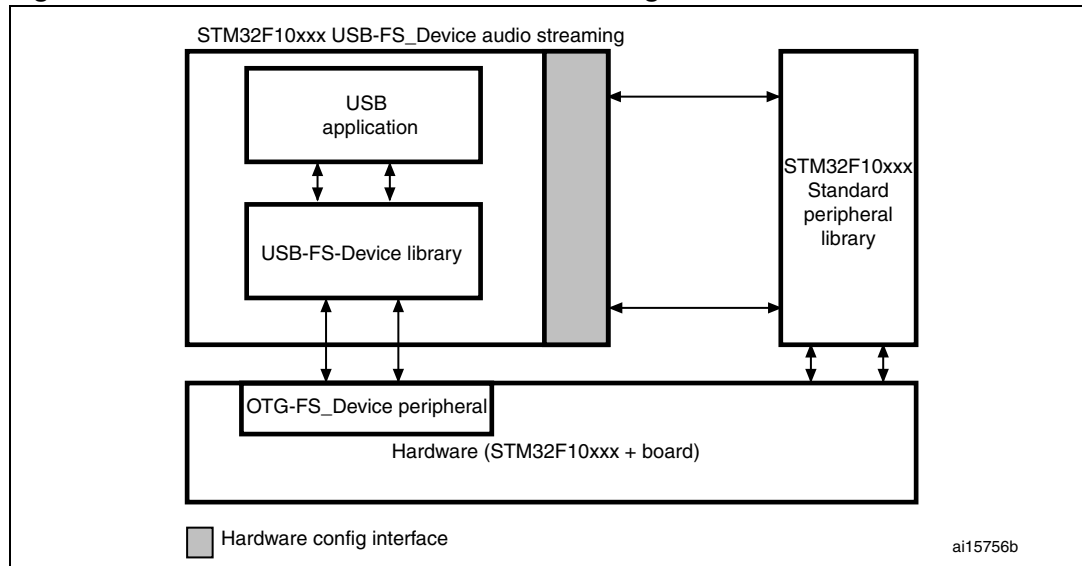
a) Hardware configuration interface:

The hardware configuration interface is a layer between the USB application (in our case the USB audio streaming) and the internal/external hardware of the STM32F105/107xx connectivity line microcontroller. This internal and external hardware is managed by the STM32F105/107xx connectivity line's standard peripheral library, so from the firmware point of view, the hardware configuration interface is the firmware layer between the USB application and the standard peripheral library. [Figure 22](#) shows the interaction between the different firmware components and the hardware environment.

The Hardware configuration layer is represented by the two files *hw_config.c* and *hw_config.h*. For the USB audio streaming demo, the hardware management layer manages the following hardware requirements:

- System and OTG-FS_Device peripheral clock configuration
- Codec configuration (through I2C control port and using IO expander for reset pin)
- Audio property and I2S configuration.

Figure 22. Hardware and firmware interaction diagram



b) Endpoint configurations:

In the STM32F10xxx USB audio streaming demo, two endpoints are used to communicate with the PC host: endpoint 0 and endpoint 1. The following C code describes the method used to configure an isochronous OUT endpoint (see the *usb_prop.c* file, `Speaker_Reset ()` function).

```
/* Initialize Endpoint 1 */
OTGD_FS_EP_Init(ENDP1_OUT, EP_ISOCHRONOUS, ISOC_BUFFER_SIZE);
```

ISOC_BUFFER_SIZE is declared in *usb_conf.h* file and is calculated as follows:
 $ISOC_BUFFER_SIZE = (2 * 2 * (\text{audio frequency})/1000)$

For example: if the audio frequency is 48 kHz then $ISOC_BUFFER_SIZE = (2 * 2 * 48) = 192$

c) Class-specific request

This implementation supports only Mute control. This feature is managed by the `Mute_command` function (*usb_prop.c* file).

d) Isochronous data transfer management

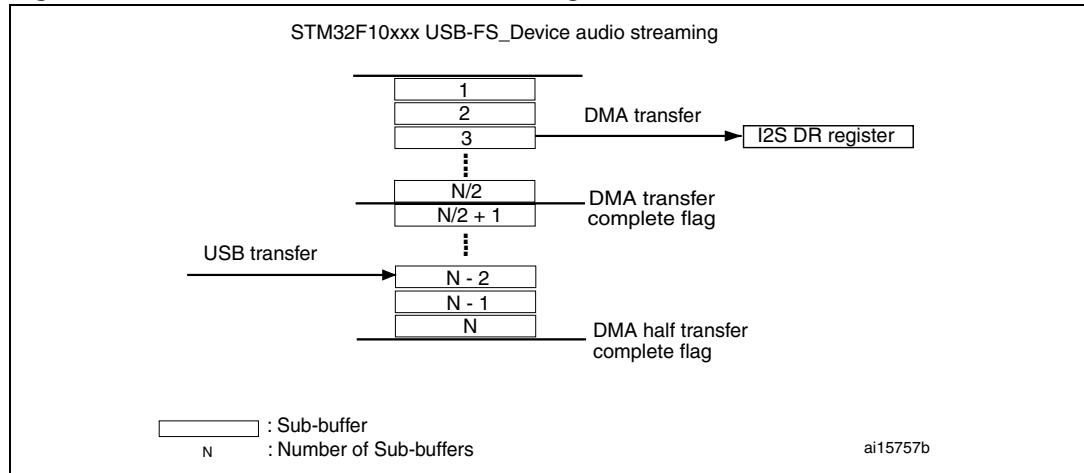
The Isochronous transfer is managed with DMA through configurable free multi buffers. A large size buffer is allocated in the embedded SRAM and divided into multiple sub-buffers, each one has a size equal to the ISOC_BUFFER_SIZE previously calculated. The number of sub-buffers has to be an integer.

For example if the audio frequency is 48 kHz then ISOC_BUFFER_SIZE is 192. If the number of sub-buffers is 30, then, the total size of `Isoc_Buffer` is $192 * 30 = 5.625$ KB. The number of sub-buffers is configurable through the define `NUM_SUB_BUFFERS` in *usb_conf.h* file.

The DMA transfers data from this buffer to the I2S peripheral in circular continuous mode. Meanwhile, the OTG-FS_Device peripheral copies the data received from the host to this buffer. To guarantee a correct transfer, the global buffer is divided into two parts. When the OTG-FS_Device transfer is being performed on the first part, the DMA transfer should be performed from the second part, and when the

OTG-FS_Device transfer reaches the second part, the DMA should begin reading from the first part. *Figure 23* illustrates this mechanism.

Figure 23. Isochronous data transfer management



If the host stops transferring data to the device (pauses or stops streaming), this is detected through the SOF ISR which detects if a new packet has been received or not. In this case the DMA transfer is stopped and the audio output is muted.

Audio speaker descriptors

Table 27. Device descriptors

Field	Value	Description
<i>bLength</i>	0x12	Size of this descriptor in bytes
<i>bDescriptorType</i>	0x01	Descriptor type (Device descriptor)
<i>bcdUSB</i>	0x0200	USB specification Release number: 2.0
<i>bDeviceClass</i>	0x00	Device class
<i>bDeviceSubClass</i>	0x00	Device subclass
<i>bDeviceProtocol</i>	0x00	Device protocol
<i>bMaxPacketSize0</i>	0x40	Max packet size of Endpoint 0: 64 bytes;
<i>idVendor</i>	0x0483	Vendor identifier (STMicroelectronics)
<i>idProduct</i>	0x5730	Product identifier
<i>bcdDevice</i>	0x0100	Device release number: 1.00
<i>iManufacturer</i>	0x01	Index of the manufacturer string descriptor: 1
<i>iProduct</i>	0x02	Index of the product string descriptor: 2
<i>iSerialNumber</i>	0x03	Index of the serial number string descriptor: 3
<i>bNumConfigurations</i>	0x01	Number of possible configurations: 1

Table 28. Configuration descriptors

Field	Value	Description
<i>bLength</i>	0x09	Size of this descriptor in bytes
<i>bDescriptorType</i>	0x02	Descriptor type (Configuration descriptor)
<i>wTotalLength</i>	0x006D	Total length (in bytes) of the returned data by this descriptor (including interface endpoint descriptors)
<i>bNumInterfaces</i>	0x02	Number of interfaces supported by this configuration (two interfaces)
<i>bConfigurationValue</i>	0x01	Configuration value
<i>iConfiguration</i>	0x00	Index of the Configuration String descriptor
<i>bmAttributes</i>	0x80	Configuration characteristics: Bus powered
<i>Maxpower</i>	0x32	Maximum power consumption through USB bus: 100 mA

Table 29. Interface descriptors

Field	Value	Description
USB speaker standard interface AC descriptor (Interface 0, alternate setting 0)		
<i>bLength</i>	0x09	Size of this descriptor in bytes
<i>bDescriptorType</i>	0x04	Descriptor type: Interface descriptor
<i>bInterfaceNumber</i>	0x00	Interface number
<i>bAlternateSetting</i>	0x00	Alternate setting number
<i>bNumEndpoints</i>	0x00	Number of used endpoints: 0 (only endpoint 0 is used for this interface)
<i>bInterfaceClass</i>	0x01	Interface class: USB DEVICE CLASS AUDIO
<i>bInterfaceSubClass</i>	0x01	Interface subclass: AUDIO SUBCLASS AUDIOCONTROL
<i>bInterfaceProtocol</i>	0x00	Interface protocol: AUDIO PROTOCOL UNDEFINED
<i>iInterface</i>	0x00	Index of the interface string descriptor
USB speaker class-specific AC interface descriptor		
<i>bLength</i>	0x09	Size of this descriptor in bytes
<i>bDescriptorType</i>	0x24	Descriptor type: AUDIO INTERFACE DESCRIPTOR TYPE
<i>bDescriptorSubtype</i>	0x01	Descriptor Subtype: AUDIO CONTROL HEADER
<i>bcdADC</i>	0x0100	bcdADC:1.00
<i>wTotalLength</i>	0x0027	Total Length: 39
<i>bInCollection</i>	0x01	Number of streaming interfaces: 1
<i>baInterfaceNr</i>	0x01	baInterfaceNr: 1
USB speaker input terminal descriptor		
<i>bLength</i>	0x0C	Size of this descriptor in bytes: 12
<i>bDescriptorType</i>	0x24	Descriptor type: AUDIO INTERFACE DESCRIPTOR TYPE

Table 29. Interface descriptors (continued)

Field	Value	Description
<i>bDescriptorSubtype</i>	0x02	Descriptor Subtype: AUDIO CONTROL INPUT TERMINAL
<i>bTerminalID</i>	0x01	Terminal ID: 1
<i>wTerminalType</i>	0x0101	Terminal Type: AUDIO TERMINAL USB STREAMING
<i>bAssocTerminal</i>	0x00	No association
<i>bNrChannels</i>	0x01	One channel
<i>wChannelConfig</i>	0x0000	Channel Configuration: MONO
<i>iChannelNames</i>	0x00	Unused
<i>iTerminal</i>	0x00	Unused
USB- speaker audio feature unit descriptor		
<i>bLength</i>	0x09	Size of this descriptor in bytes
<i>bDescriptorType</i>	0x24	Descriptor type: AUDIO INTERFACE DESCRIPTOR TYPE
<i>bDescriptorSubtype</i>	0x06	DescriptorSubtype: AUDIO CONTROL FEATURE UNIT
<i>bUnitID</i>	0x02	Unit ID: 2
<i>bSourceID</i>	0x01	Source ID:1
<i>bControlSize</i>	0x01	Control Size:1
<i>bmaControls</i>	0x0001	Only the control of the MUTE is supported
<i>iTerminal</i>	0x00	Unused
USB speaker output terminal descriptor		
<i>bLength</i>	0x09	Size of this descriptor in bytes
<i>bDescriptorType</i>	0x24	Descriptor type: AUDIO INTERFACE DESCRIPTOR TYPE
<i>bDescriptorSubtype</i>	0x03	Descriptor subtype: AUDIO CONTROL OUTPUT TERMINAL
<i>bTerminalID</i>	0x03	Terminal ID: 3
<i>wTerminalType</i>	0x0301	Terminal Type: AUDIO TERMINAL SPEAKER
<i>bAssocTerminal</i>	0x00	No association
<i>bSourceID</i>	0x02	Source ID:2
<i>iTerminal</i>	0x00	Unused
USB speaker standard AS interface descriptor - audio streaming zero bandwidth (Interface 1, alternate setting 0)		
<i>bLength</i>	0x09	Size of this descriptor in bytes
<i>bDescriptorType</i>	0x24	Descriptor type: AUDIO INTERFACE DESCRIPTOR TYPE
<i>bInterfaceNumber</i>	0x01	Interface Number: 1
<i>bAlternateSetting</i>	0x00	Alternate Setting: 0
<i>bNumEndpoints</i>	0x00	not used (zero bandwidth)
<i>bInterfaceClass</i>	0x01	Interface class: USB DEVICE CLASS AUDIO

Table 29. Interface descriptors (continued)

Field	Value	Description
<i>bInterfaceSubClass</i>	0x02	Interface subclass: AUDIO SUBCLASS AUDIOSTREAMING
<i>bInterfaceProtocol</i>	0x00	Interface protocol: AUDIO PROTOCOL UNDEFINED
<i>iInterface</i>	0x00	Unused
USB speaker standard AS interface descriptor - audio streaming operational (Interface 1, alternate setting 1)		
<i>bLength</i>	0x09	Size of this descriptor in bytes
<i>bDescriptorType</i>	0x24	Descriptor type: AUDIO INTERFACE DESCRIPTOR TYPE
<i>bInterfaceNumber</i>	0x01	Interface number: 1
<i>bAlternateSetting</i>	0x01	Alternate Setting: 1
<i>bNumEndpoints</i>	0x01	One Endpoint.
<i>bInterfaceClass</i>	0x01	Interface class: USB CLASS AUDIO
<i>bInterfaceSubClass</i>	0x02	Interface subclass: AUDIO SUBCLASS AUDIOSTREAMING
<i>bInterfaceProtocol</i>	0x00	Interface protocol: AUDIO PROTOCOL UNDEFINED
<i>iInterface</i>	0x00	Unused
USB Speaker Audio Streaming Interface Descriptor		
<i>bLength</i>	0x07	Size of this descriptor in bytes
<i>bDescriptorType</i>	0x24	Descriptor type: AUDIO INTERFACE DESCRIPTOR TYPE
<i>bInterfaceNumber</i>	0x01	Interface number: 1
<i>bAlternateSetting</i>	0x01	Alternate Setting: 1
<i>bNumEndpoints</i>	0x01	One Endpoint.
<i>wFormatTag</i>	0x0001	PCM format (16 bits)
USB speaker audio type III format interface descriptor		
<i>bLength</i>	0x0B	Size of this descriptor in bytes
<i>bDescriptorType</i>	0x24	Descriptor type: AUDIO INTERFACE DESCRIPTOR TYPE
<i>bDescriptorSubtype</i>	0x03	Descriptor subtype: AUDIO STREAMING FORMAT TYPE
<i>bFormatType</i>	0x03	Format type: Type III
<i>bNrChannels</i>	0x02	Number of channels: two channels
<i>bSubFrameSize</i>	0x02	Subframe size: two bytes per audio subframe
<i>bBitResolution</i>	0x10	Bit resolution: 16 bits per sample
<i>bSamFreqType</i>	0x01	One frequency supported
<i>tSamFreq</i>	AUDIO_F REQ	This value is configured automatically according to the define in usb_conf.h file

Table 30. Endpoint descriptors

Field	Value	Description
Endpoint 1 - standard descriptor		
<i>bLength</i>	0x07	Size of this descriptor in bytes
<i>bDescriptorType</i>	0x05	Descriptor type (endpoint descriptor)
<i>bEndpointAddress</i>	0x01	OUT Endpoint address 1.
<i>bmAttributes</i>	0x01	Isochronous Endpoint
<i>wMaxPacketSize</i>	ISOC_BUFFER_SIZE	This number is defined in usb_conf.h file and depends on the audio frequency selected.
<i>bInterval</i>	0x00	Unused
Endpoint 1 - Audio streaming descriptor		
<i>bLength</i>	0x07	Size of this descriptor in bytes
<i>bDescriptorType</i>	0x25	Descriptor type: AUDIO ENDPOINT DESCRIPTOR TYPE
<i>bDescriptor</i>	0x01	AUDIO ENDPOINT GENERAL
<i>bmAttributes</i>	0x80	<i>bmAttributes</i> : 0x80
<i>bLockDelayUnits</i>	0x00	Unused
<i>wLockDelay</i>	0x0000	Unused

9 Revision history

Table 31. Document revision history

Date	Revision	Changes
28-May-2007	1	Initial release.
04-Oct-2007	2	Evaluation board name corrected. Reference to UM0412 added to Section 4: Device firmware upgrade . Note added in Section 5.2: Mass storage demo overview .
22-May-2008	3	STM3210E-EVAL added, user manual updated accordingly. Small text changes.
30-May-2008	4	Section 1.5.2: Tusb_desc (.h, .c) on page 21 and Section 3: Custom HID demo on page 28 added. Section 2: Joystick mouse demo on page 26 modified. Section 4.6: STM32F10xxx DFU implementation on page 42 modified. Section 5.4.8: Medium access management on page 54 added.
13-Jun-2008	5	Caution: on page 55 reference to firmware license agreement removed.
03-Apr-2009	6	USB replaced by USB-FS_Device. STM32F10xxx Firmware Library upgraded to the standard peripheral library.
07-May-2009	7	Corrupted pdf version replaced.
10-Nov-2009	8	Added support for OTG full-speed device peripherals. Introduction modified. Section 1.1: USB application hierarchy and Section 1.2: USB-FS_Device peripheral interface modified. Enhancement of the library architecture. GetEPAddress modified in Endpoint register functions . Section 4.6.5: How to create a DFU Image modified. Section 5.2: Mass storage demo overview modified. Figure 16: Device Manager window modified. Section 8: USB audio streaming demo added. BYTE replaced by uint8_t, WORD replaced by uint16_t. Small text changes.
31-May-2010	9	Modified Section 1.4.2: usb_core (.h, .c) on page 17 (device property structure) and Section 1.5.1: usb_conf(.h) on page 21

Please Read Carefully:

Information in this document is provided solely in connection with ST products. STMicroelectronics NV and its subsidiaries ("ST") reserve the right to make changes, corrections, modifications or improvements, to this document, and the products and services described herein at any time, without notice.

All ST products are sold pursuant to ST's terms and conditions of sale.

Purchasers are solely responsible for the choice, selection and use of the ST products and services described herein, and ST assumes no liability whatsoever relating to the choice, selection or use of the ST products and services described herein.

No license, express or implied, by estoppel or otherwise, to any intellectual property rights is granted under this document. If any part of this document refers to any third party products or services it shall not be deemed a license grant by ST for the use of such third party products or services, or any intellectual property contained therein or considered as a warranty covering the use in any manner whatsoever of such third party products or services or any intellectual property contained therein.

UNLESS OTHERWISE SET FORTH IN ST'S TERMS AND CONDITIONS OF SALE ST DISCLAIMS ANY EXPRESS OR IMPLIED WARRANTY WITH RESPECT TO THE USE AND/OR SALE OF ST PRODUCTS INCLUDING WITHOUT LIMITATION IMPLIED WARRANTIES OF MERCHANTABILITY, FITNESS FOR A PARTICULAR PURPOSE (AND THEIR EQUIVALENTS UNDER THE LAWS OF ANY JURISDICTION), OR INFRINGEMENT OF ANY PATENT, COPYRIGHT OR OTHER INTELLECTUAL PROPERTY RIGHT.

UNLESS EXPRESSLY APPROVED IN WRITING BY AN AUTHORIZED ST REPRESENTATIVE, ST PRODUCTS ARE NOT RECOMMENDED, AUTHORIZED OR WARRANTED FOR USE IN MILITARY, AIR CRAFT, SPACE, LIFE SAVING, OR LIFE SUSTAINING APPLICATIONS, NOR IN PRODUCTS OR SYSTEMS WHERE FAILURE OR MALFUNCTION MAY RESULT IN PERSONAL INJURY, DEATH, OR SEVERE PROPERTY OR ENVIRONMENTAL DAMAGE. ST PRODUCTS WHICH ARE NOT SPECIFIED AS "AUTOMOTIVE GRADE" MAY ONLY BE USED IN AUTOMOTIVE APPLICATIONS AT USER'S OWN RISK.

Resale of ST products with provisions different from the statements and/or technical features set forth in this document shall immediately void any warranty granted by ST for the ST product or service described herein and shall not create or extend in any manner whatsoever, any liability of ST.

ST and the ST logo are trademarks or registered trademarks of ST in various countries.

Information in this document supersedes and replaces all information previously supplied.

The ST logo is a registered trademark of STMicroelectronics. All other names are the property of their respective owners.

© 2010 STMicroelectronics - All rights reserved

STMicroelectronics group of companies

Australia - Belgium - Brazil - Canada - China - Czech Republic - Finland - France - Germany - Hong Kong - India - Israel - Italy - Japan - Malaysia - Malta - Morocco - Philippines - Singapore - Spain - Sweden - Switzerland - United Kingdom - United States of America

www.st.com